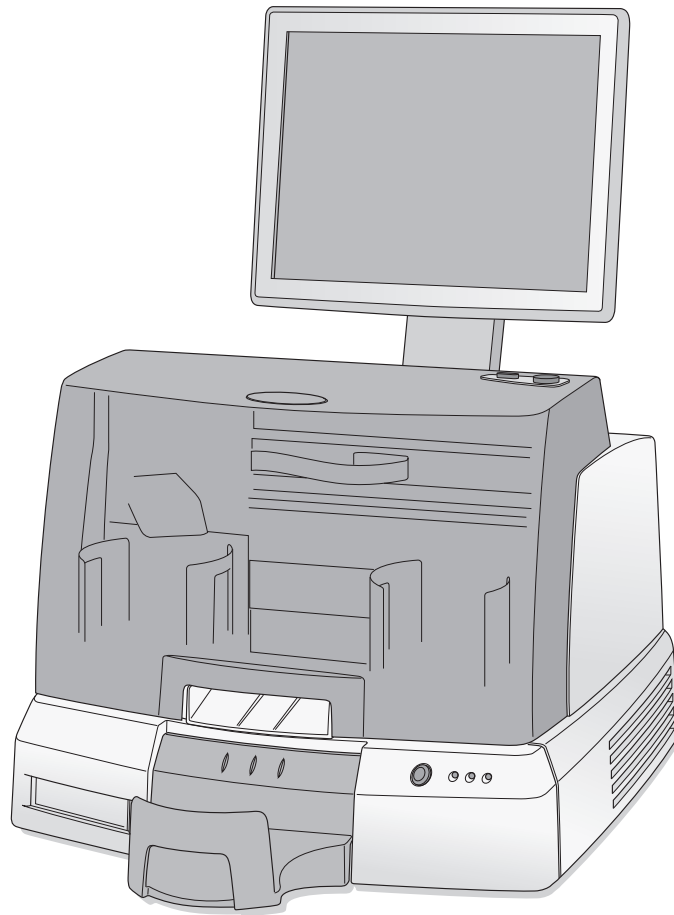




CODONICS

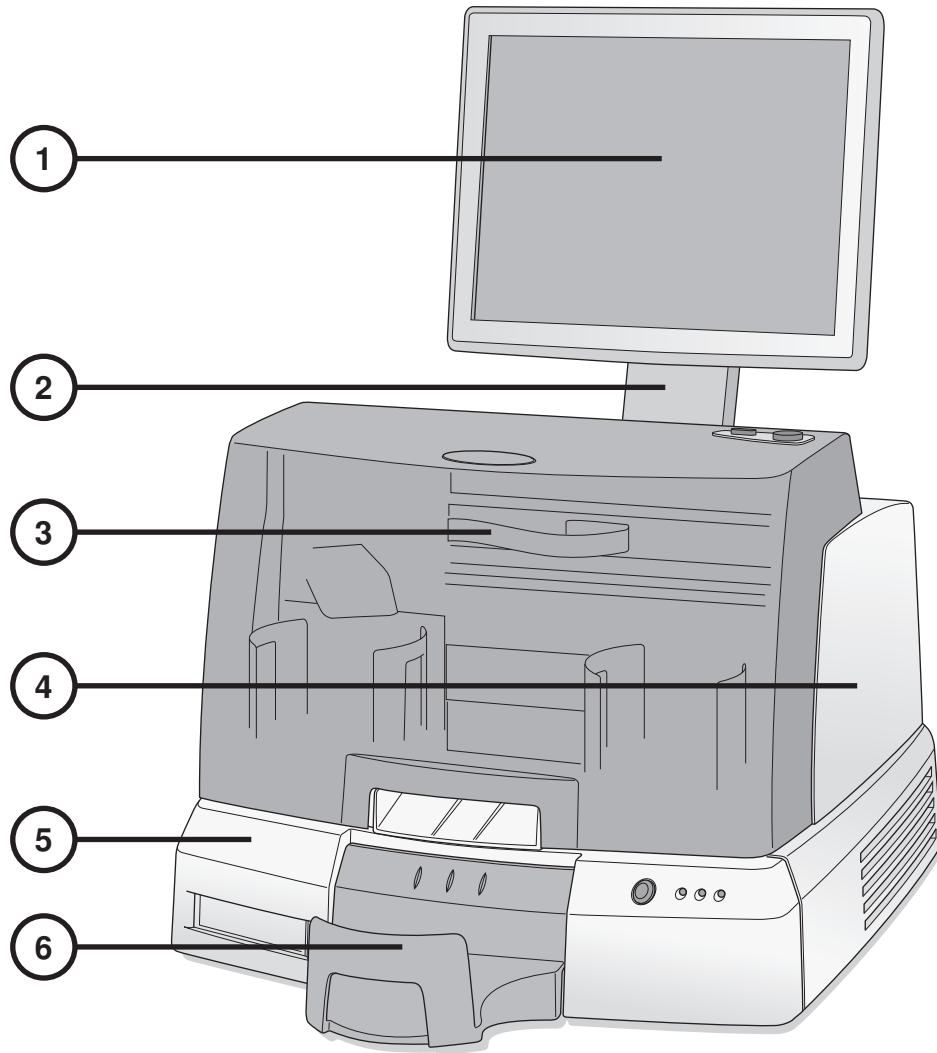


Virtua® Reference Guide

Table of Contents

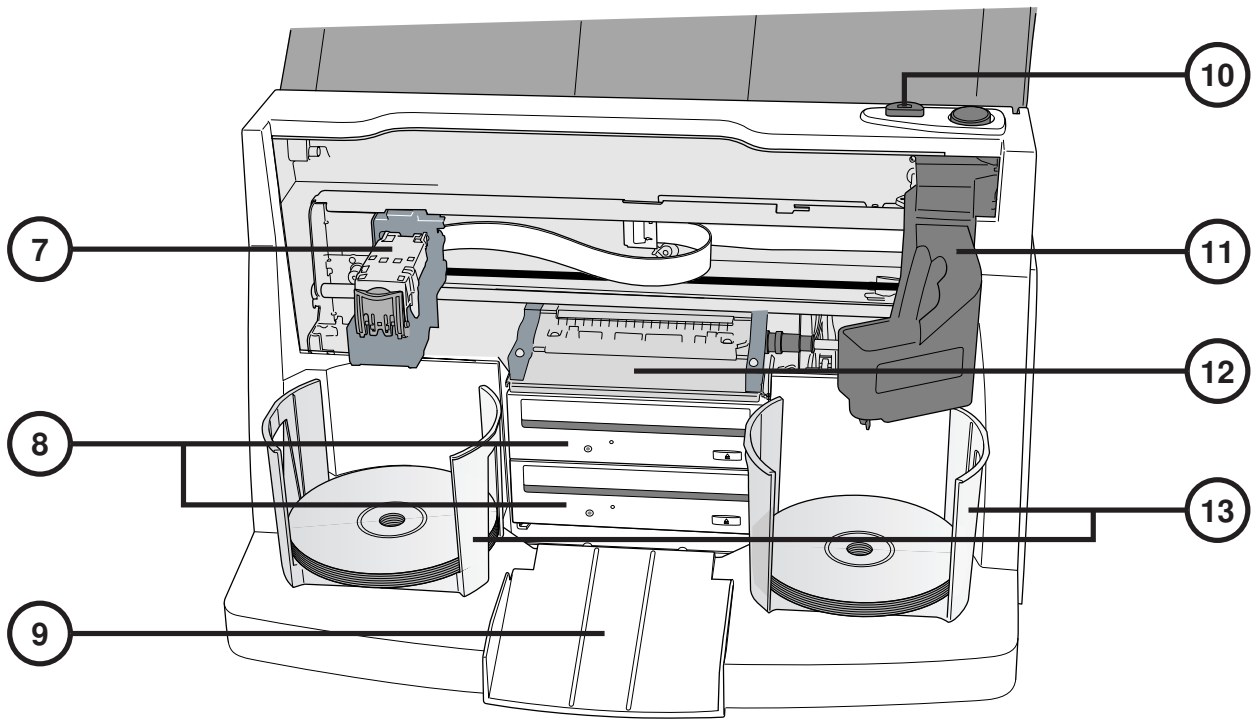
Components.....	1
Assembly.....	6
Startup	14
Shutdown	16
Media Loading.....	17
Configuration	20
DICOM Host Setup.....	31
Software Installation	32
Troubleshooting	34
Product Information	35

Components



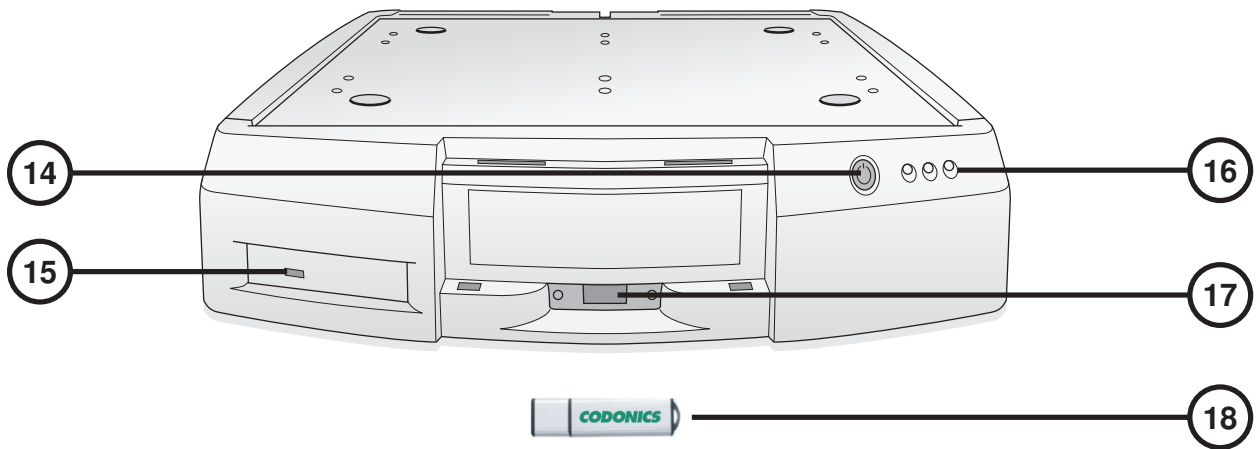
- 1. Display
- 2. Display arm
- 3. Front cover

- 4. Recorder
- 5. Controller
- 6. Output bin



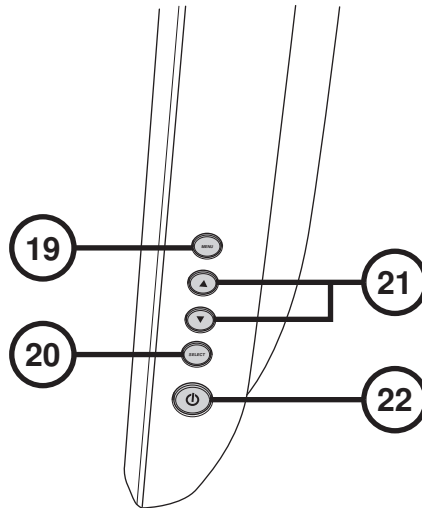
- 7. Ink cartridge
- 8. CD/DVD recorders
- 9. Eject Ramp
- 10. Ink Cartridge Load button

- 11. Robotic disc transporter
- 12. Printer tray
- 13. Input bins



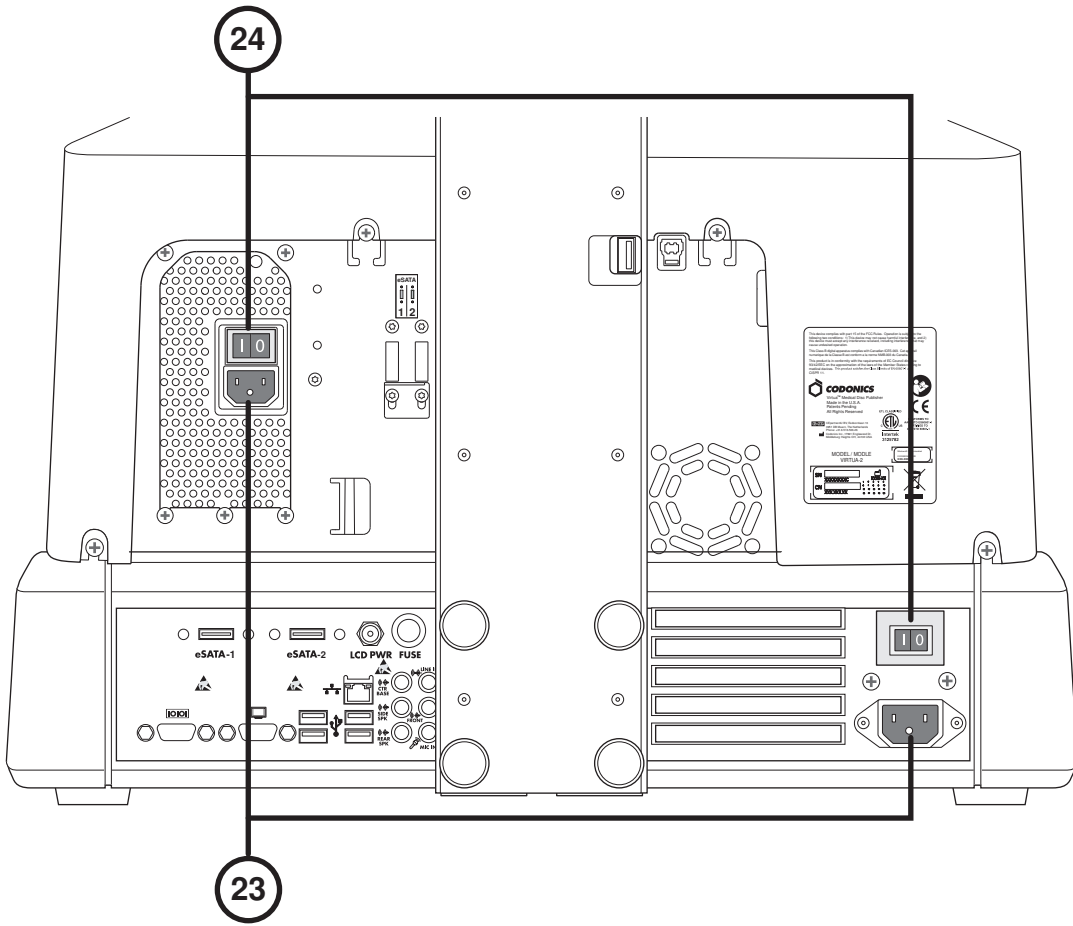
- 14. Controller Soft Power button
- 15. USB-2 port
- 16. Status indicators

- 17. SmartDrive USB port
- 18. SmartDrive



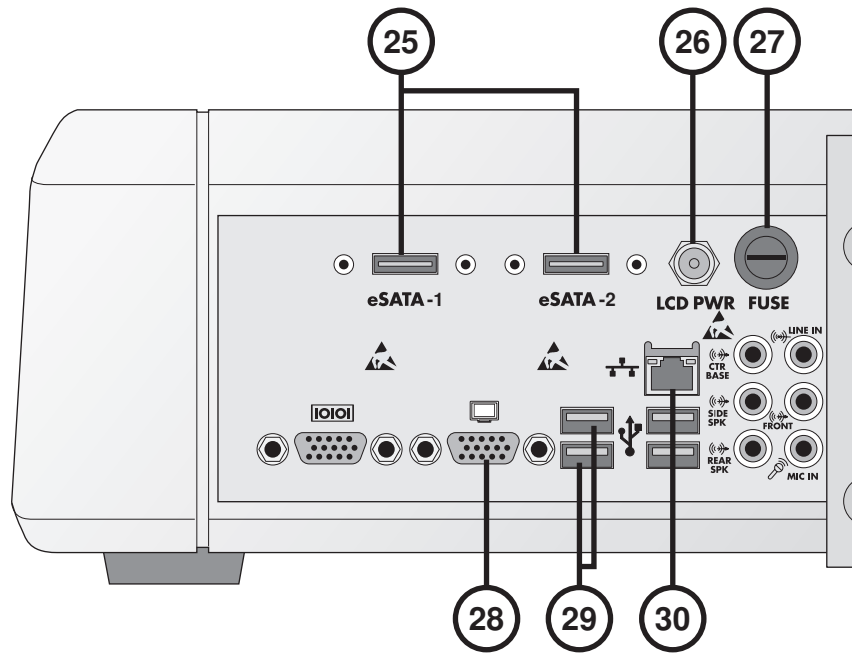
- 19. Display/exit on-screen menus
- 20. Select adjustment item

- 21. Contrast and Brightness settings
- 22. Power switch



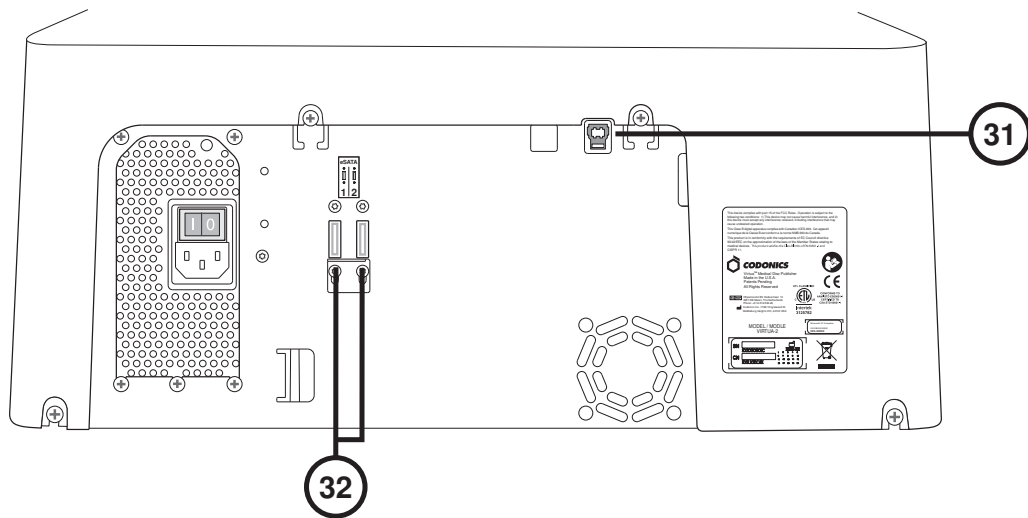
23. Power input ports

24. Hard power switches



- 25. eSATA connectors
- 26. Display power connector
- 27. Display fuse

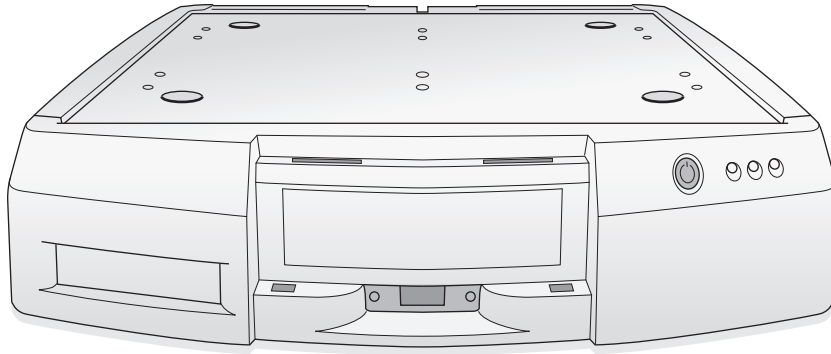
- 28. VGA connector
- 29. USB connectors
- 30. Ethernet connector



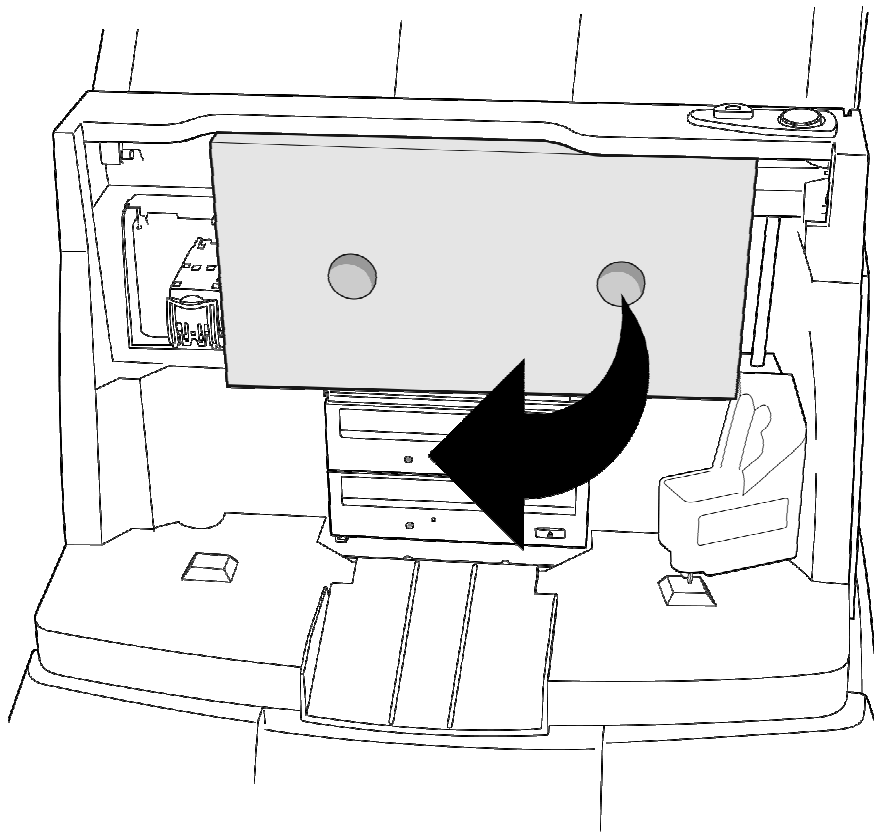
- 31. USB connector

- 32. eSATA connectors

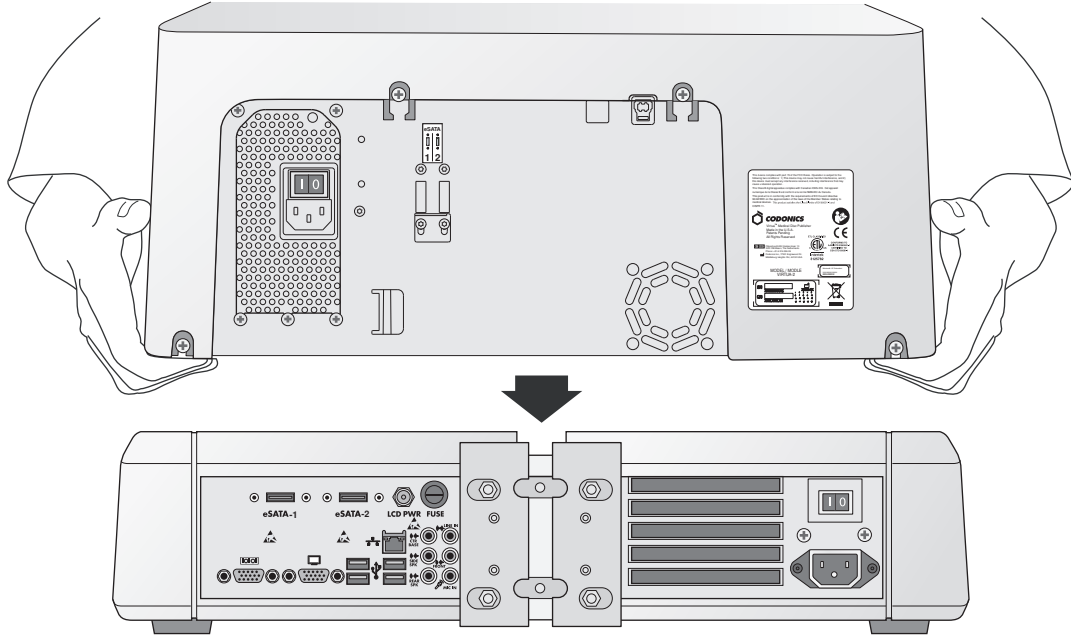
Assembly



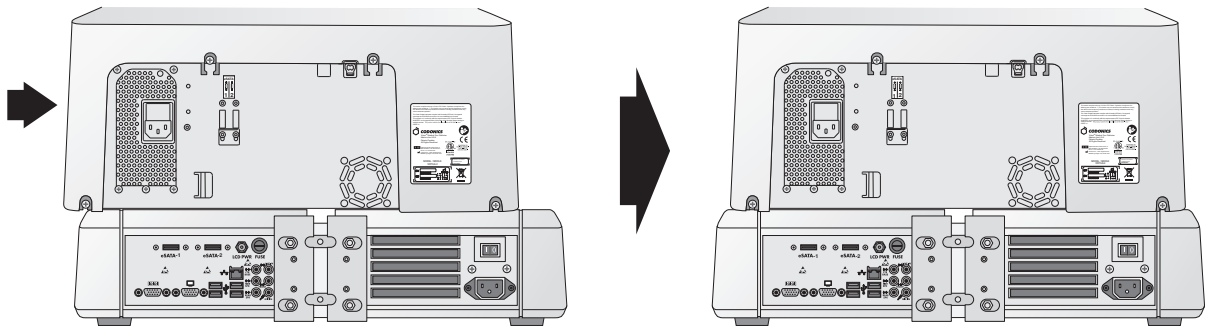
1. Place the Controller on a solid level surface.



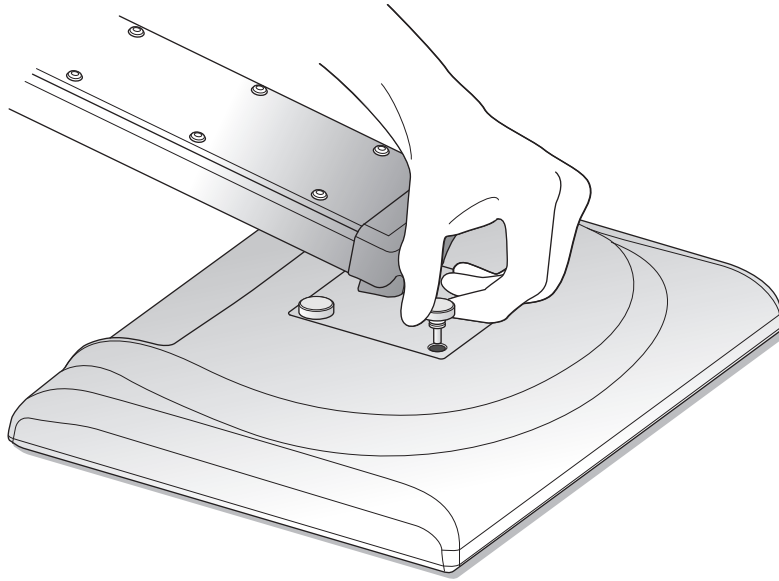
2. Remove the cardboard insert.



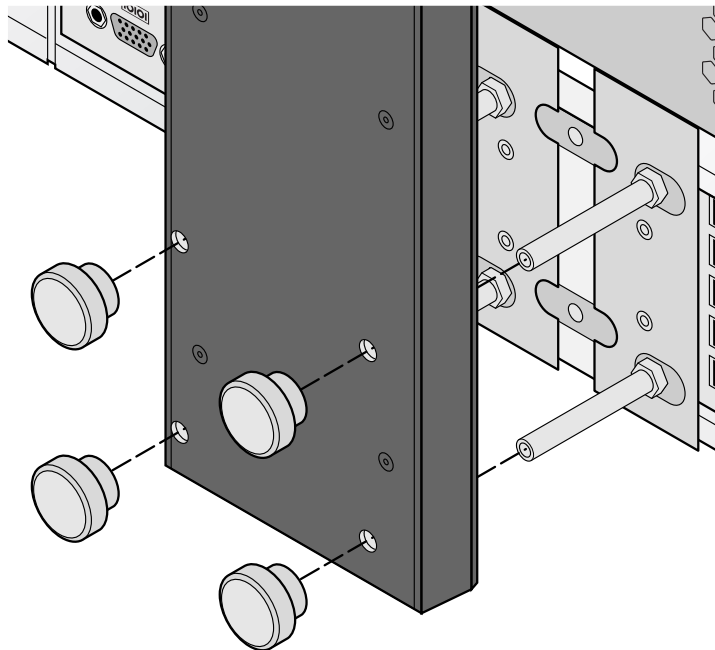
3. Place the Recorder on the Controller.
(Note: Offset the components to avoid pinching finger.)



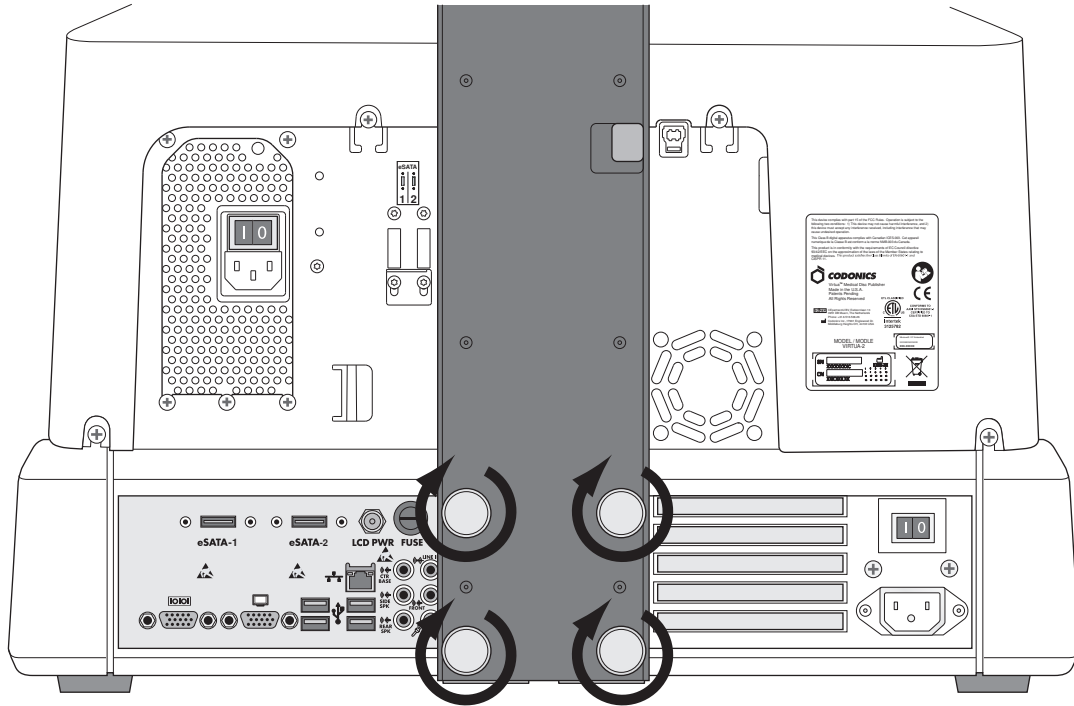
4. Center the Recorder on the Controller.



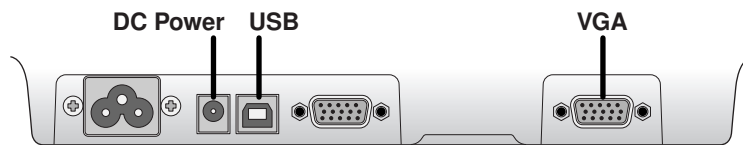
5. Assemble the Display by attaching the Display Arm to the Display using the four thumbscrews provided.



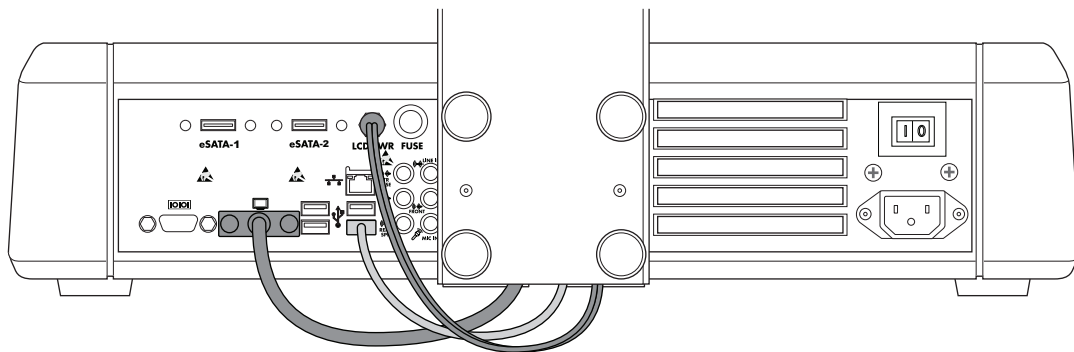
6. Attach the Display Arm with the four thumbscrews provided to the Controller.



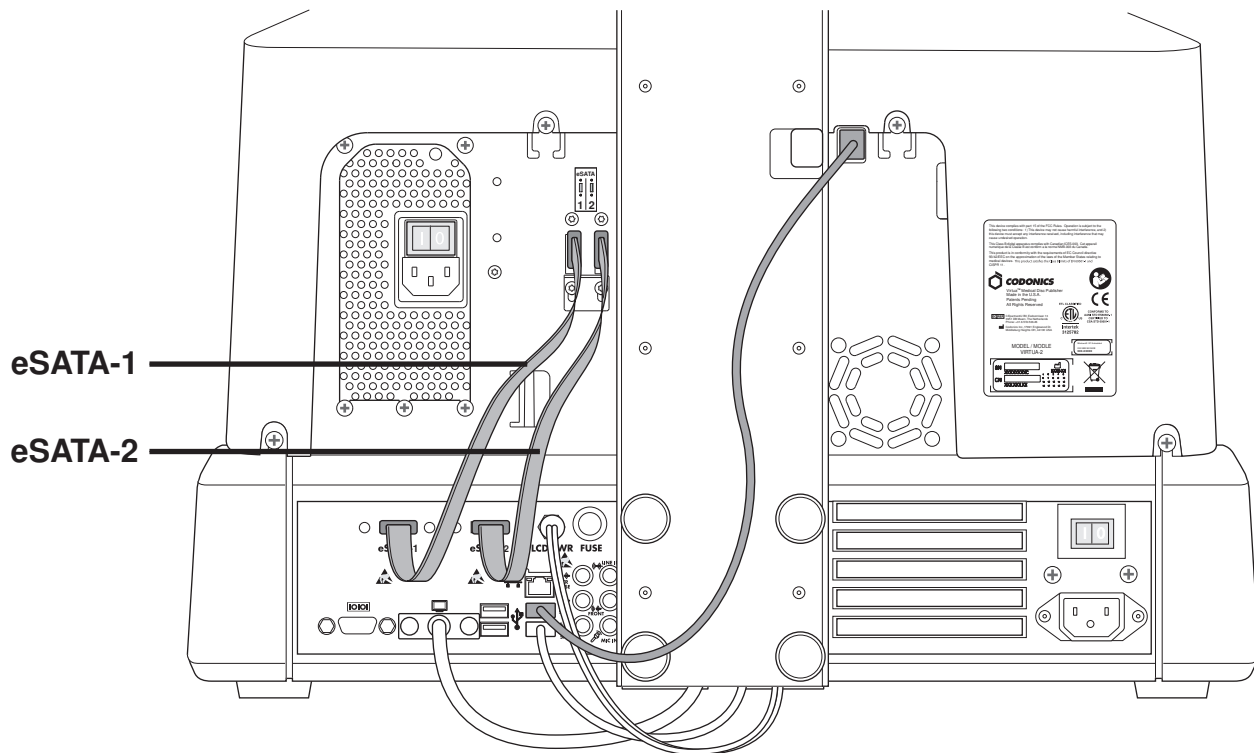
7. Finger-tighten the thumbscrews.



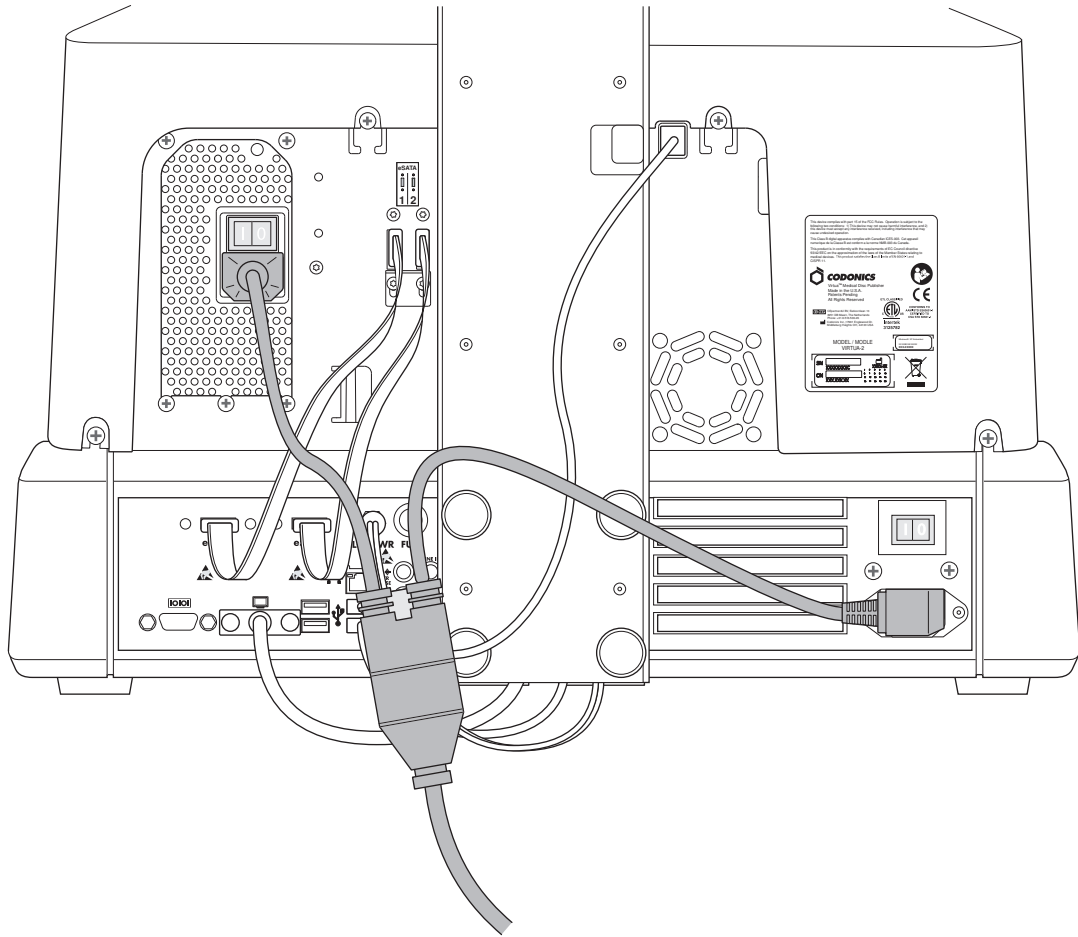
8. Attach Display cables (VGA, USB, Power).



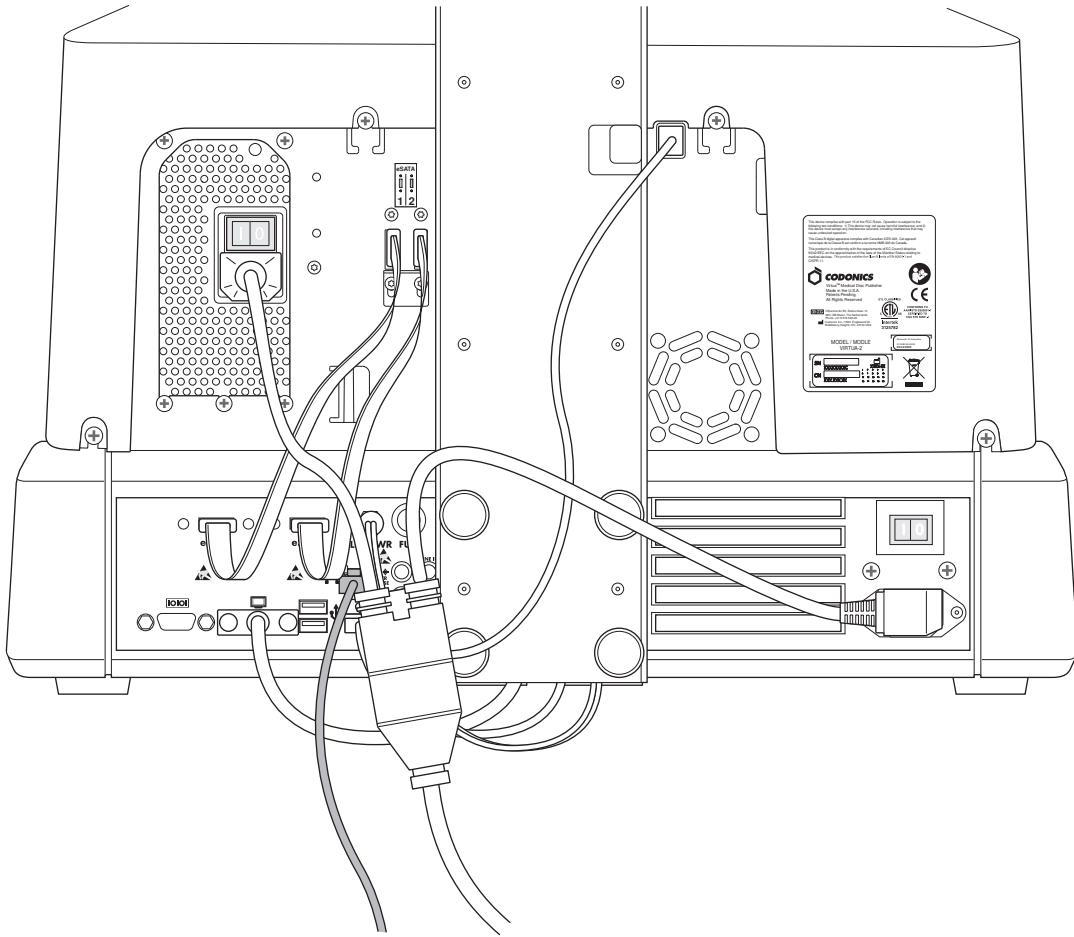
9. Connect the DC power, USB, and VGA cables from the Display Arm to the Display ports.



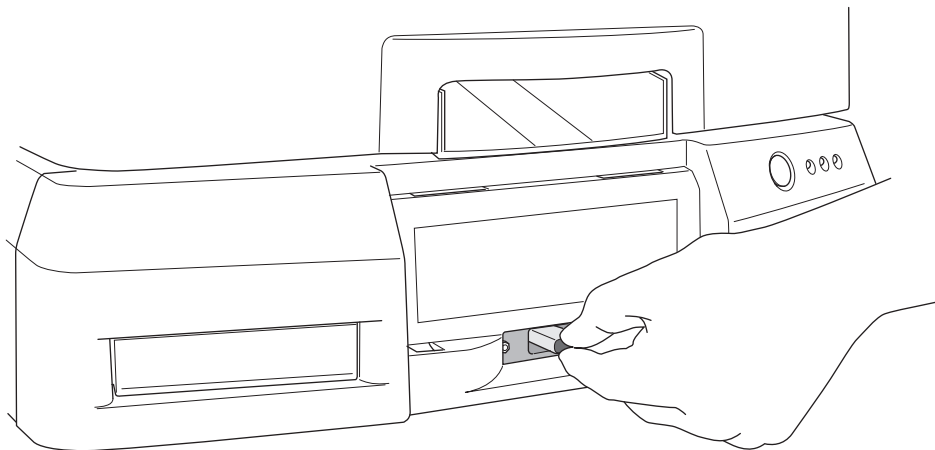
10. Attach the Recorder USB cable, eSATA-1 cable to the eSATA-1 connector and eSATA-2 cable to the eSATA-2 connector.



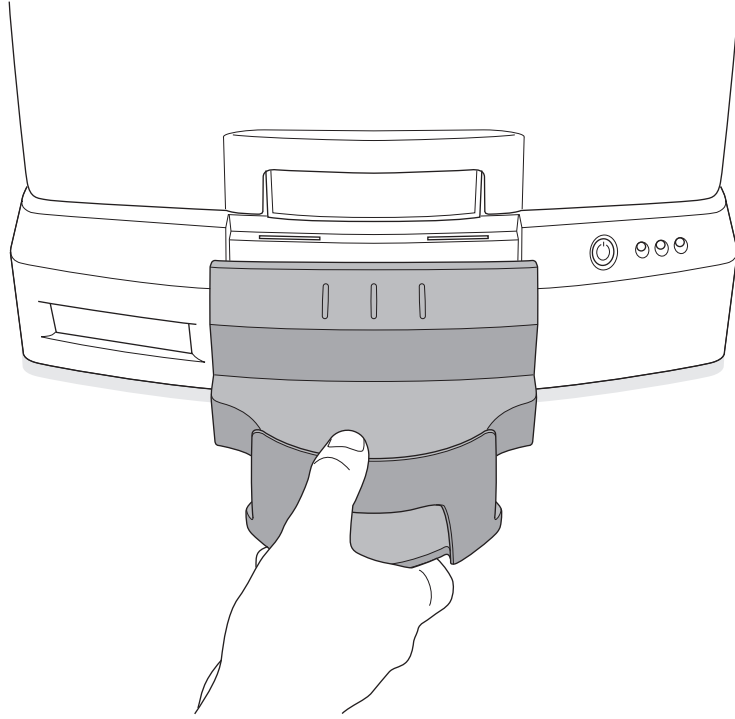
11. Connect the power cables.



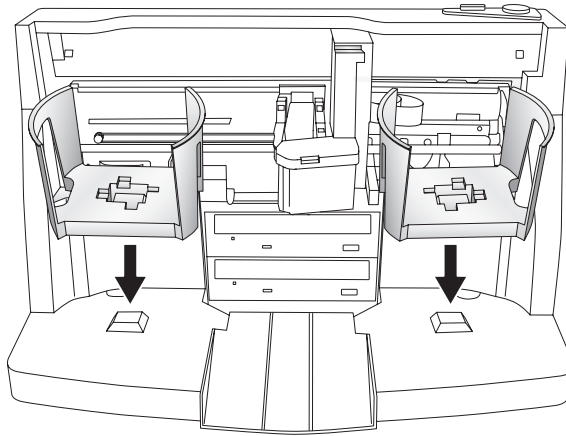
12. Connect the Ethernet cable.



13. Install the SmartDrive.

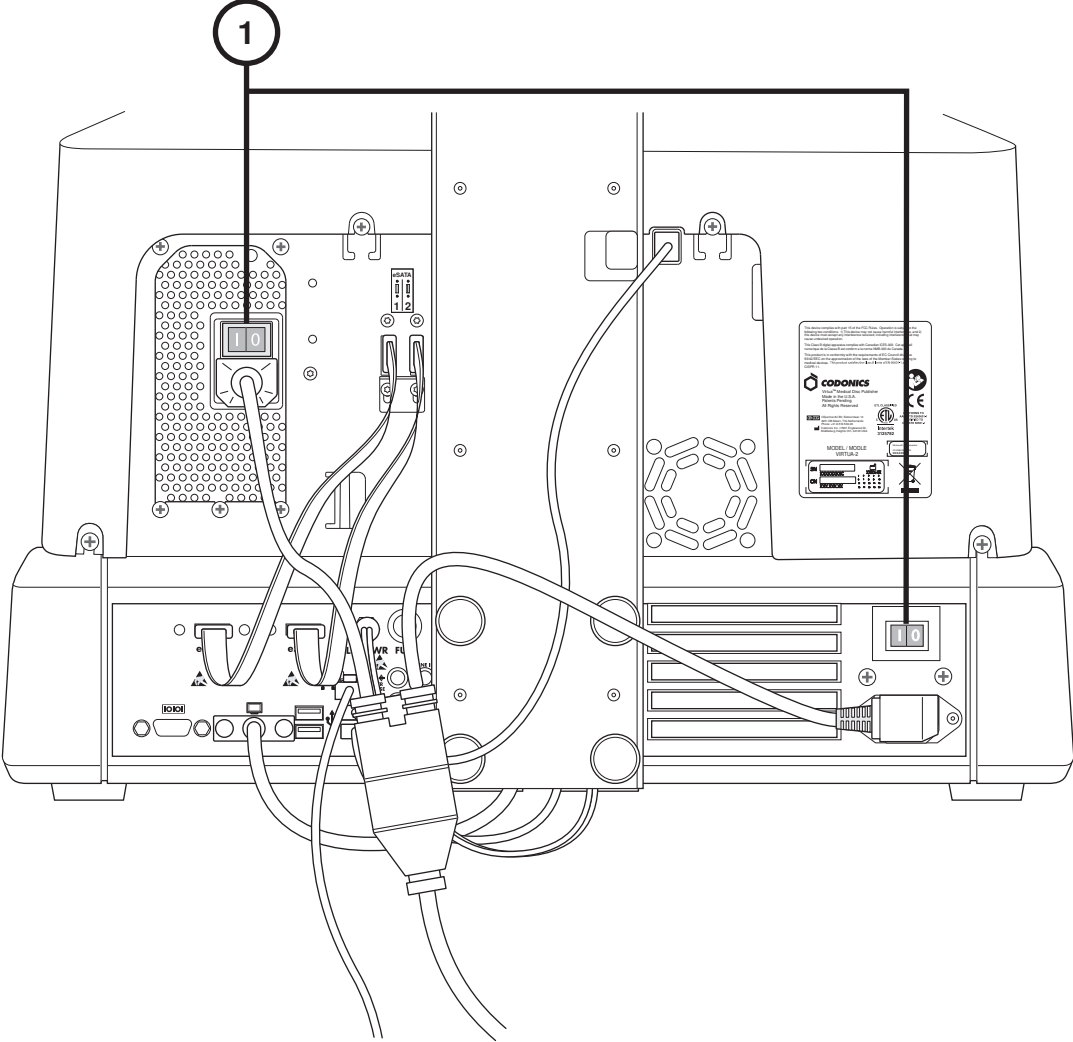


14. Install the output bin.

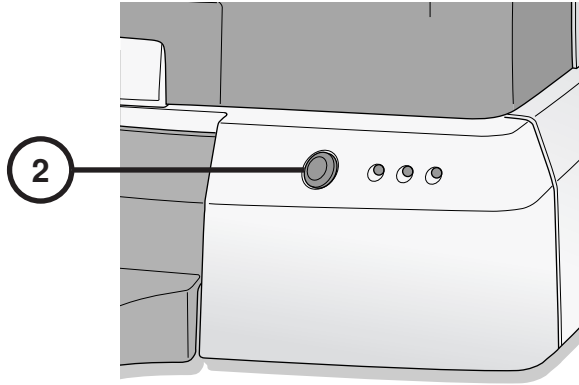


15. Install the input bins.

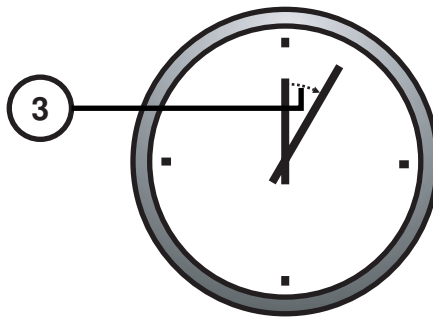
Startup



1. Set the hard power switches ON (top power switch first).

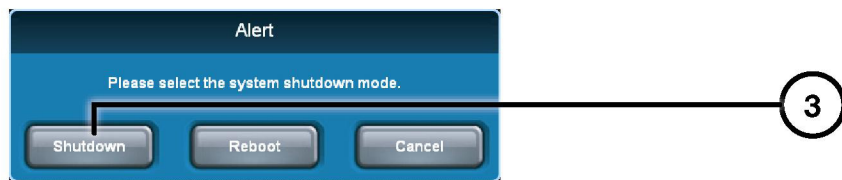


2. Press the Controller soft power button.

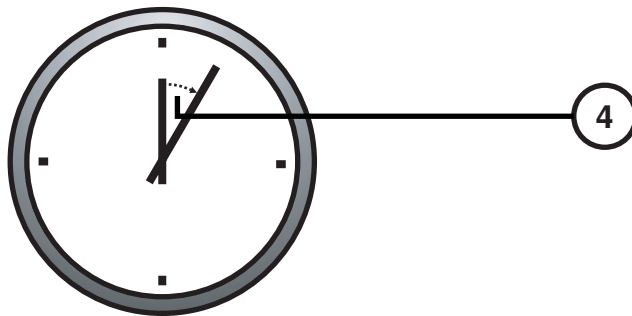


3. Wait three minutes for startup to complete.

Shutdown

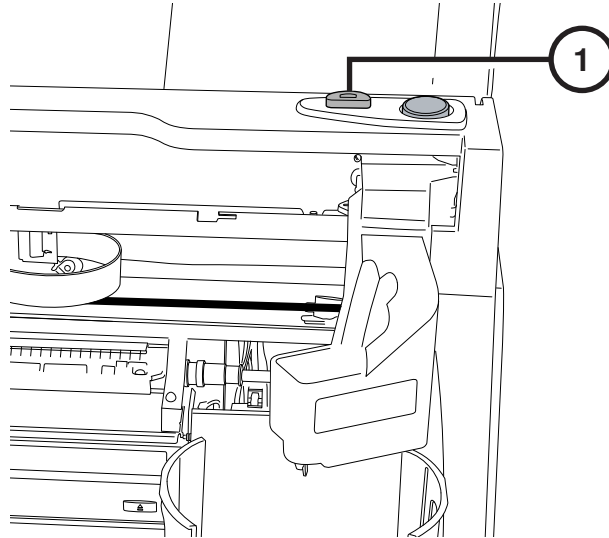


1. Touch the Log Out button.
2. Touch the Shutdown button.
3. Touch the Shutdown button.

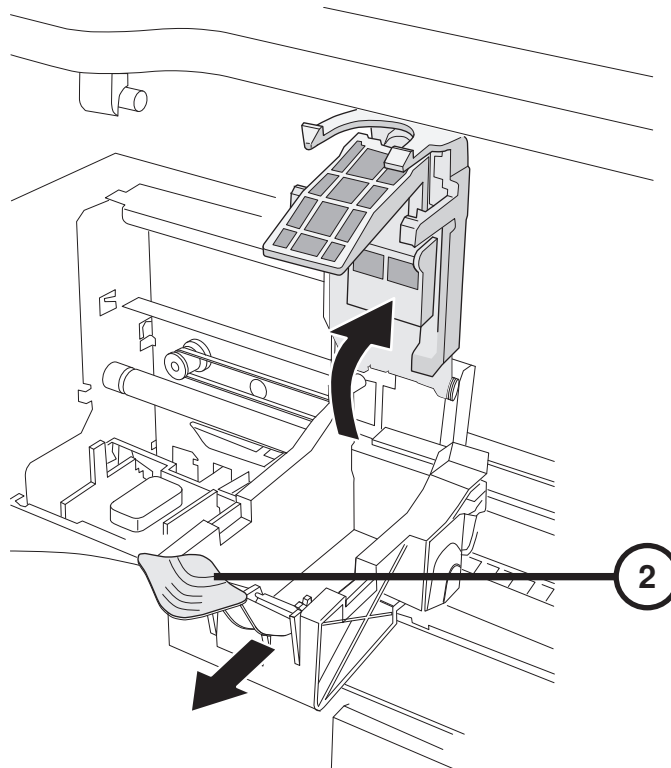


4. Wait 1 minute for shutdown to complete.

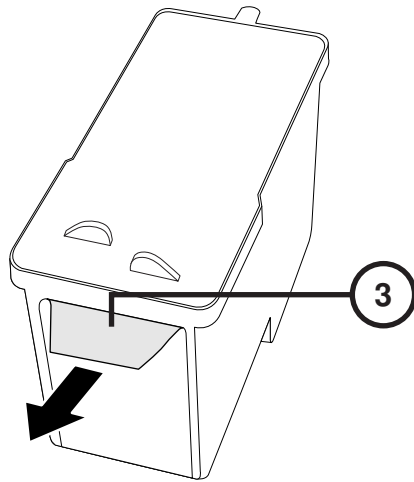
Media Loading



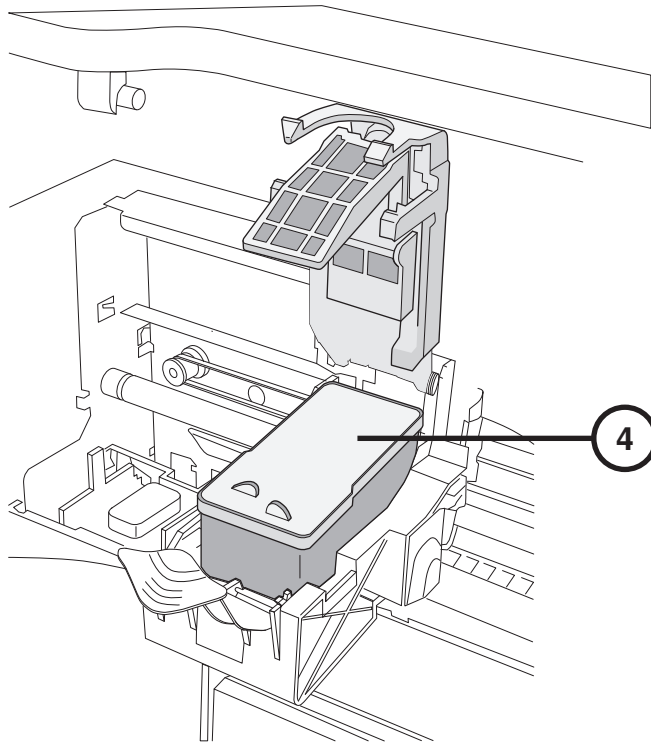
1. Press the Ink Cartridge Load button.



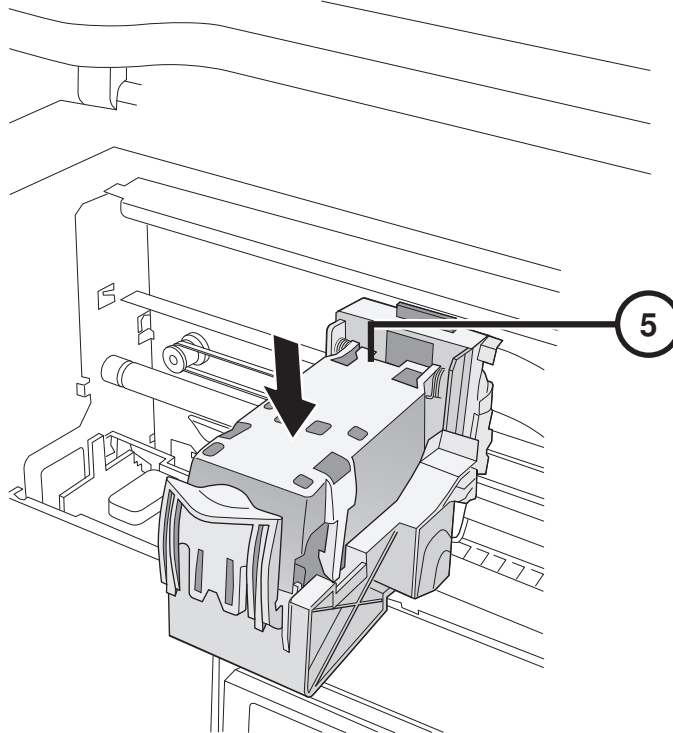
2. Open the ink carriage.



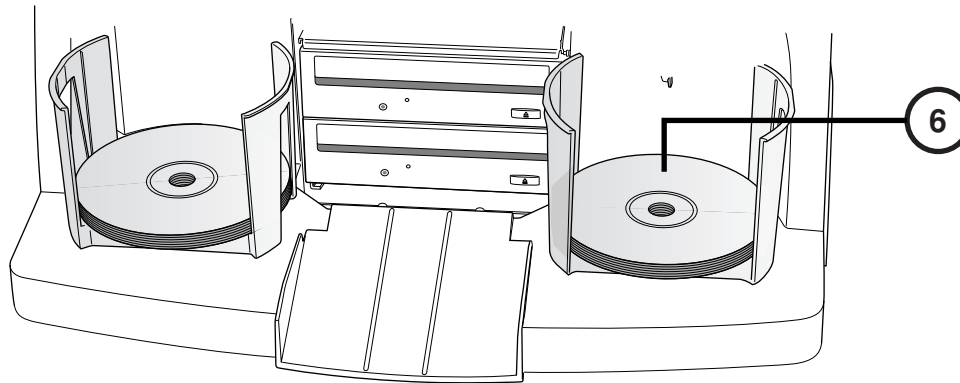
3. Remove the ink cartridge tape.



4. Install the ink cartridge.



5. Close the ink carriage.



6. Load the discs (white side up).

Configuration

On Screen Keyboard



On Screen Keyboard allows character input from Display.

1. Touch characters.
2. Displays typed characters.
3. Press OK when done.

Log In



1. Touch the Username field. Type “admin”.
2. Touch the Password field. Type “codonics”.
3. Touch the Log In button.

Set Network



1. Touch the Setup button.
2. Touch the Network tab.
3. Touch the Static button.
4. Enter the IP Address.
5. Enter the Subnet Mask.
6. Enter the Gateway.
7. Touch the Save button.

Set Date and Time



1. Touch the Setup button.
2. Touch the Date & Time tab.
3. Enter the Date.
4. Enter the Time.
5. Touch the Save button.

View Site Information



1. Touch the Setup button.
2. Touch the Site tab.

Set Site Information

1. Power-off the Controller.
2. Remove the SmartDrive from the Controller.
3. Insert the SmartDrive in Windows PC.
4. Edit the file: \profiles\site\site.default.txt.
5. Insert the SmartDrive in the Controller.
6. Power-on the Controller.

Sample file: site.default.txt

```
[ SiteProfile ]
siteProfileName = default
address0 = Codonics Imaging Center
address1 = 17991 Englewood Drive
address2 = Suite D
address3 = Middleburg Heights, OH 44130
customLabelFileLocation =
defaultImagerProfile =
defaultJobProfile =
demoSiteBurnDirectory = c:\data\cc\spd
inactivityTimeout = 60
isDemoSite = false
logoFileLocation =
siteDisclaimer = This disc contains confidential medical information.  If you
are not the intended recipient or an authorized user, please contact the site
shown on this label.
siteName = Codonics
phoneNumber = 1-800-444-1198
url = www.codonics.com
```

Set User Password



1. Touch the Setup button.
2. Touch the User tab.
3. Select the User Name.
4. Enter the Password.
5. Confirm the Password.
6. Set the Administrator mode (optional).
7. Touch the Save button.

Record Studies

The screenshot shows the CODONICS interface with the following elements:

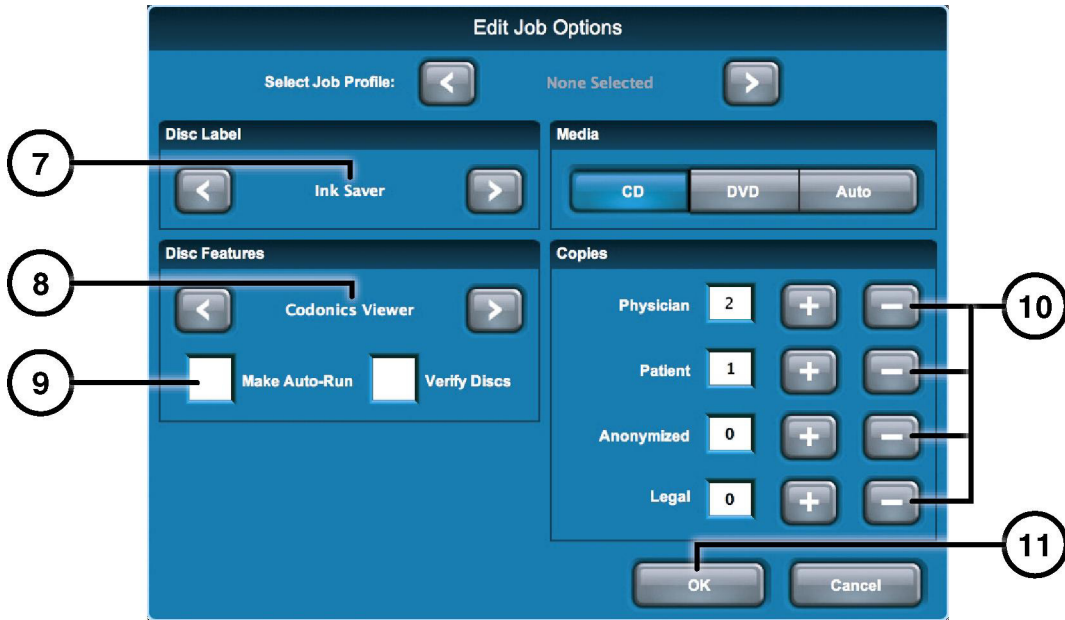
- Top Bar:** Includes a timer (0:00), disc information (50 CD, 31 DVD), a 'Ready' indicator, user information (virtua, 11/12/06, 11:13 AM), and a 'Log Out' button.
- Navigation:** 'Studies' button (1), 'Utilities' button (2), and 'Help' button (3).
- Filter Bar:** 'New', 'Today', 'Yesterday', and 'All' buttons (3).
- Table:** A table with columns: Patient, Physician, Modality, Exam, Received, Status, and Actions. Two rows are visible:

Patient	Physician	Modality	Exam	Received	Status	Actions
BARRY, JOHN	FELANI	CR (1)	P543215 11/07/06	3:58 PM	Ready	[Trash] [Search]
BORG, MARY	PATEK	MR (64)	P543213 11/07/06	3:44 PM	Ready	[Trash] [Search]
- Bottom Bar:** 'Select All', 'Unselect All', '1 of 2 selected', navigation arrows, 'Page 1 of 1', 'Delete...' button, and 'Record' button (5).

1. Touch the Studies button.
2. Touch the Studies tab.
3. Select the Filter.
4. Select the Studies.
5. Touch the Record button.



6. Touch the Edit Options button.



7. Select Label.
8. Select Viewer.
9. Set Make Auto-Run (optional).
10. Select the number of copies.
11. Touch the OK button.



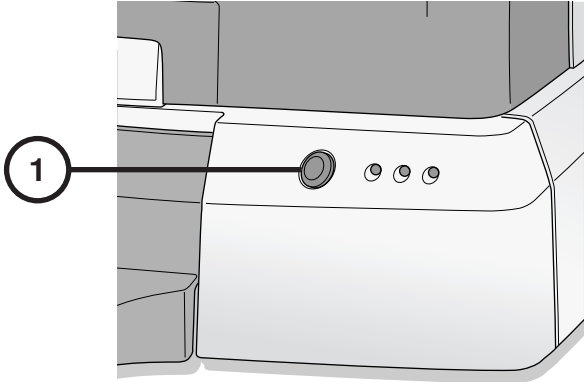
12. Touch the OK button to record the disc.

DICOM Host Setup

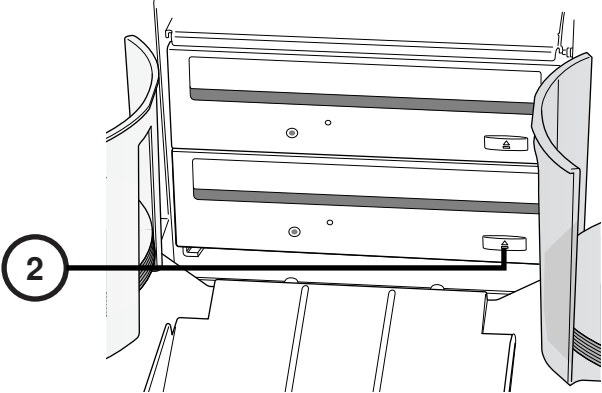
Host Settings for Storing DICOM Studies to Virtua

AE Title	TCP Port	Description
AUTO	104	Automatically record studies.
MANUAL	104	Place studies in Study List for manual recording.

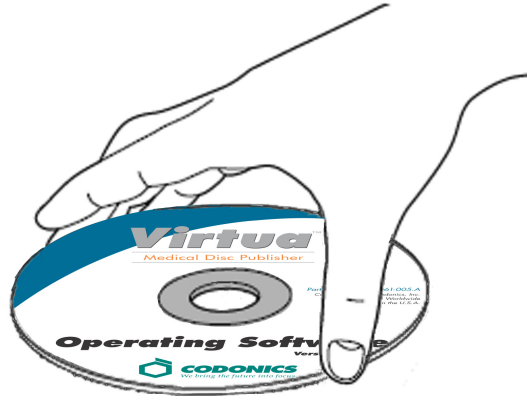
Software Installation



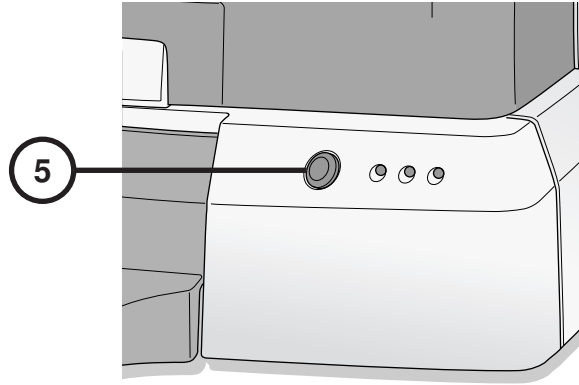
1. Power-off the Controller.



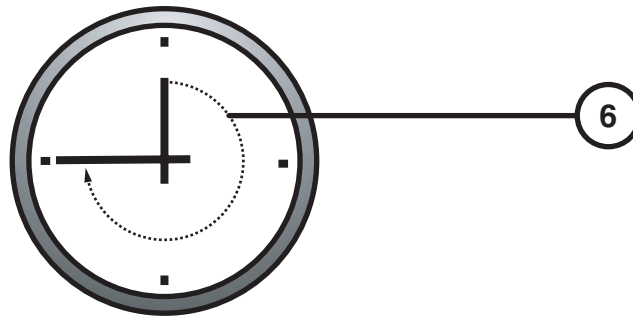
2. Open the bottom drive tray.



3. Place the “Operating Software” disc in the bottom drive tray.
4. Close the bottom drive tray.



5. Power-on the Controller.



6. Wait 45 minutes for the software to install.
7. Remove the “Operating Software” disc from bottom drive tray.
8. Close the bottom drive tray.

Troubleshooting

Problem	Solution
System start up fails.	Check “Y” power cable. Verify power selector switches are set properly. Verify controller power switch is ON. Verify recorder power switch is ON. Verify display power switch is ON. Check display cables (VGA, USB, Power). Check recorder USB cable. Verify SmartDrive is connected.
Software will not install	Make sure that the eSATA cables are connected to the right connectors.
Drives not found	Make sure the Recorder is powered on before the Controller.
Display is blank.	Check display power switch. Check display cables (VGA, USB, Power).
Display does not respond properly.	Check display USB cable. Align display by touching Align Touch Screen button.
Login fails.	Verify username and password. Verify password case (upper-case and lower-case). Delete file <code>\profiles\user\user.admin.txt</code> on SmartDrive to restore default password: codonics .
Network not responding.	Check network settings. Verify network cable is connected. Verify SmartDrive is connected.
Recorder is not responding.	Check recorder USB cable. Verify recorder power switch in ON. Cycle power on recorder using recorder power switch.
Label prints light, has lines or is blank.	Verify that the ink cartridge is fully seated. Replace ink cartridge.
Display shows disc error.	Verify that the correct media type is loaded in each input bin. Use recommended quality discs. Handle discs properly when loading.
System responses are slow.	Multiple jobs are being processed at the same time. Large jobs with many images are being processed. Multiple remote web connections are active.

Product Information

Manufacturer:

Codonics, Inc.
17991 Englewood Drive
Middleburg Heights, OH 44130 USA
440-243-1198 Phone
440-243-1334 Fax
Email info@codonics.com
www.codonics.com

For technical assistance with Codonics Virtua, call the Codonics Technical Support System at the following number:

Phone: +1.440.243.1198
Toll Free: 800.444.1198 (USA only)

The Customer Service System is available weekdays from 8:30 AM to 5:30 PM EST (U.S. holidays excluded). Technical Support is also available online via e-mail and the Codonics web site:

E-mail: support@codonics.com
Web site: www.codonics.com

General product information can also be requested by sending e-mail to:

E-mail: info@codonics.com

Please include your postal mailing address and telephone number in the e-mail message. Basic product information is returned via e-mail. Complete product literature and sample prints are sent by postal mail.

European Authorized Representative:

CEpartner4U
Esdoornlaan 13,
3951DB Maarn
The Netherlands
www.cepartner4u.com



All registered and unregistered trademarks are the property of their respective owners. Specifications subject to change without notice. Patents: www.codonics.com/ip/patents
Copyright © 2005-2018 Codonics, Inc. Printed in U.S.A. Part Number 900-729-002.02.