

Horizon® Imager Cleaning Instructions

The Horizon Imager Cleaning Kit includes two types of alcohol wipes for cleaning certain internal components of the Horizon Multi-media Dry Imager. This technical brief explains the procedures for using the cleaning wipes.

You should perform these cleaning procedures as part of regular maintenance or when there is a noticeable degradation in image quality or printing performance. See the *Horizon Imager User's Manual* or *Horizon Starter Manual* for Recommended Maintenance Schedule and Troubleshooting Tables.

Some Horizon users may prefer to use the Horizon Cleaning Cassette to clean the pick tires, rather than using the PLATEN ROLLER Cleaning Wipe. The Horizon Cleaning Cassette, part number SP-00279, can be ordered by contacting your Codonics representative.

Cleaning the Thermal Print Head and Platen Roller

1. Press the imager's **MENU** key.

The Main Menu displays.

2. Select the Open Top Cover menu option.

The imager pauses and, after up to a minute to allow internal components to cool, the top cover pops partially open.

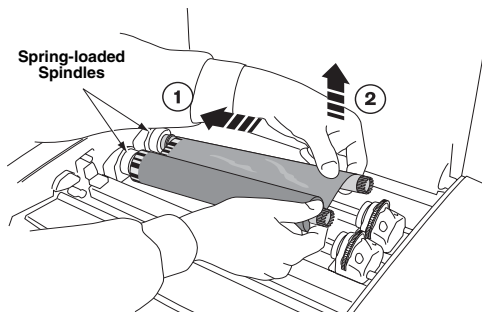
3. Open the top cover all the way.

WARNING: With the imager cover open, touch only those internal components that are colored green (except for the pick tires). Remove rings, ties, jewelry, and other items, and tie back hair, so that they do not fall into or get caught in the imager.

If a color ribbon is loaded, go to step 4. Otherwise, go to step 7.

4. Remove the color ribbon, as shown in the following figure.

Note: Care should be taken to protect the ribbon from dust and dirt when not loaded in the imager. Avoid resting the ribbon on a table; static charge will attract dust from the table top.

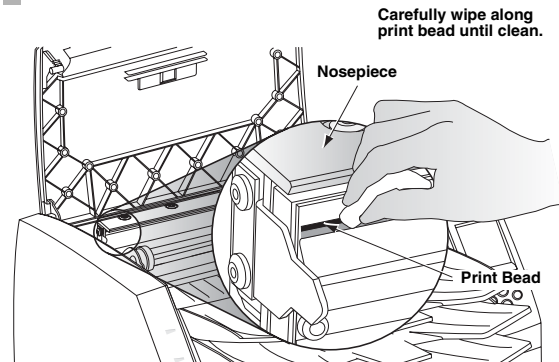


5. From the Open Top Cover menu, select the Move Ribbon Carriage menu option.
6. Press the **▼** key to move the ribbon carriage down and out of the way.
7. Locate the print bead and nosepiece, shown in the following figure.

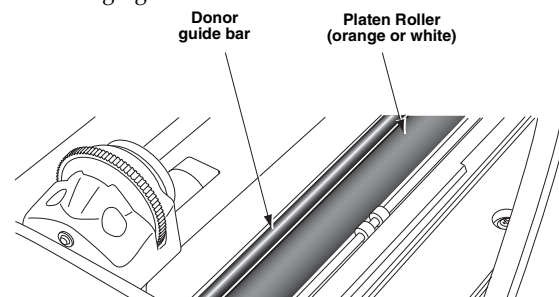
CAUTION: To avoid thermal print head damage:

- Use only the PRINT HEAD Cleaning Wipe when cleaning.
- Do not touch the glass surface of the thermal print head with fingers; wearing gloves is advised.

WARNING: The thermal print head may be hot.



8. Using the PRINT HEAD Cleaning Wipe provided with the imager's cleaning kit, carefully wipe back and forth along the entire length of the print bead line with moderate pressure. The cleaning wipe may become discolored. Repeat the back and forth motion until the print bead is completely clean.
9. Clean any dust or other contaminants from the nosepiece.
10. Looking in from the side of the imager, locate the orange or white platen roller and donor guide bar, shown in the following figure.



11. If the Move Ribbon Carriage menu is displayed, press the **◀** key to return to the Open Top Cover menu.

- From the Open Top Cover menu, select the Rotate Platen menu option.

The Rotate Platen menu is displayed.

- Using the PLATEN ROLLER Cleaning Wipe provided with the imager's cleaning kit, rub the wipe in one direction only along the entire length of the platen roller from end to end until all visible contaminants are gone. Do not rub back and forth.

Press the ▲ or ▼ key to incrementally rotate the platen roller so that you can clean its entire surface.

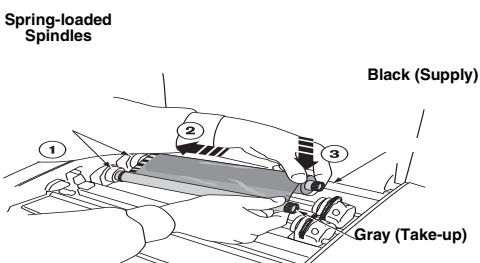
CAUTION: Use only the PLATEN ROLLER Cleaning Wipe when cleaning the platen roller. Damage to the platen roller may occur if the PRINT HEAD Cleaning Wipe is used.

- Clean any dust or other contaminants from the donor guide bar using the PLATEN ROLLER or PRINT HEAD Cleaning Wipe provided with the imager's cleaning kit.
- Wait for the thermal print head and platen roller to dry thoroughly.

CAUTION: The thermal print head **must** be completely dry before attempting to use the imager. Allowing the thermal print head to heat up again while still wet will cause damage.

If you need to reload the color ribbon, go to step 16. Otherwise go to step 18.

- From the Open Top Cover Menu, select the Move Ribbon Carriage menu option. Press the ▲ key to move the ribbon carriage up so you can reload the color ribbon.
- Reload the color ribbon, as shown in the following figure.

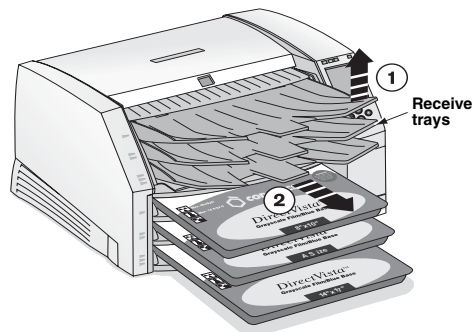


- Close the top cover.

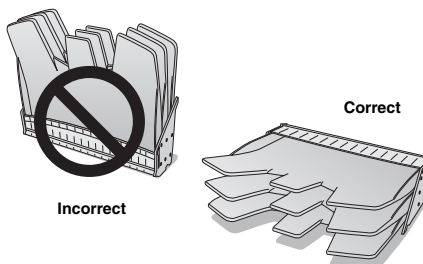
Cleaning the Pick Tires

- Press the imager's PAUSE key, and wait until the imager enters the Paused state.
- Remove the receive trays, as shown in the following figure.

WARNING: With the receive trays removed, touch only those internal components that are colored green (except for the pick tires). Remove rings, ties, jewelry, and other items, and tie back hair, so that they do not fall into or get caught in the imager.

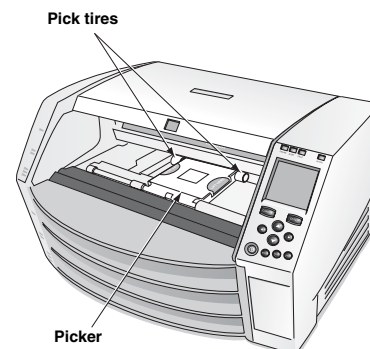


- Place the receive trays on a flat surface, as shown in the following figure.



- Remove any cassettes from the supply slots.
- Locate the pick tires.

There are three pickers, one for each supply slot. The topmost picker is shown in the following figure.



- Using PLATEN ROLLER Cleaning Wipe provided with the imager's cleaning kit, wipe around each pick tire with the cleaning wipe. The cleaning wipe may become discolored.

CAUTION: Do not touch the pick tires with fingers; body oils from your fingers are hard to remove and could eventually damage the tires. Use only the PLATEN ROLLER Cleaning Wipe, damage may occur if the PRINT HEAD Cleaning Wipe is used.

- Wait for the pick tires to dry thoroughly.
- Replace the receive trays and any media cassettes that were removed.



We bring the future into focus

17991 Englewood Drive
Middleburg Heights, OH 44130 USA
(440) 243-1198
(440) 243-1334 Fax
Email info@codonics.com
www.codonics.com

Codonics Limited KK
New Shibaura Bldg. F1
1-3-11, Shibaura
Minato-ku, Tokyo, 105-0023 JAPAN
Phone: 81-3-5730-2297
Fax: 81-3-5730-2295