



CODONICS

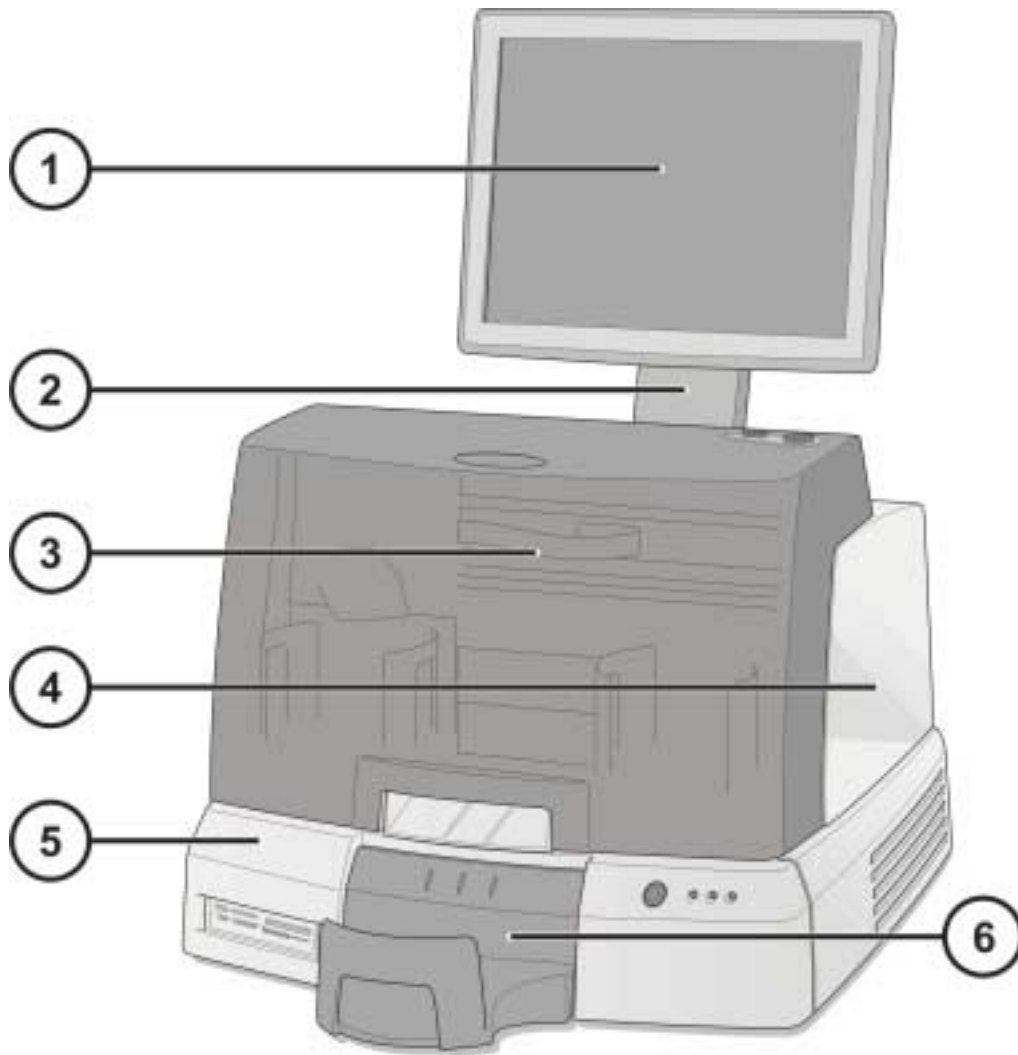


Virtua™ Reference Guide

Table of Contents

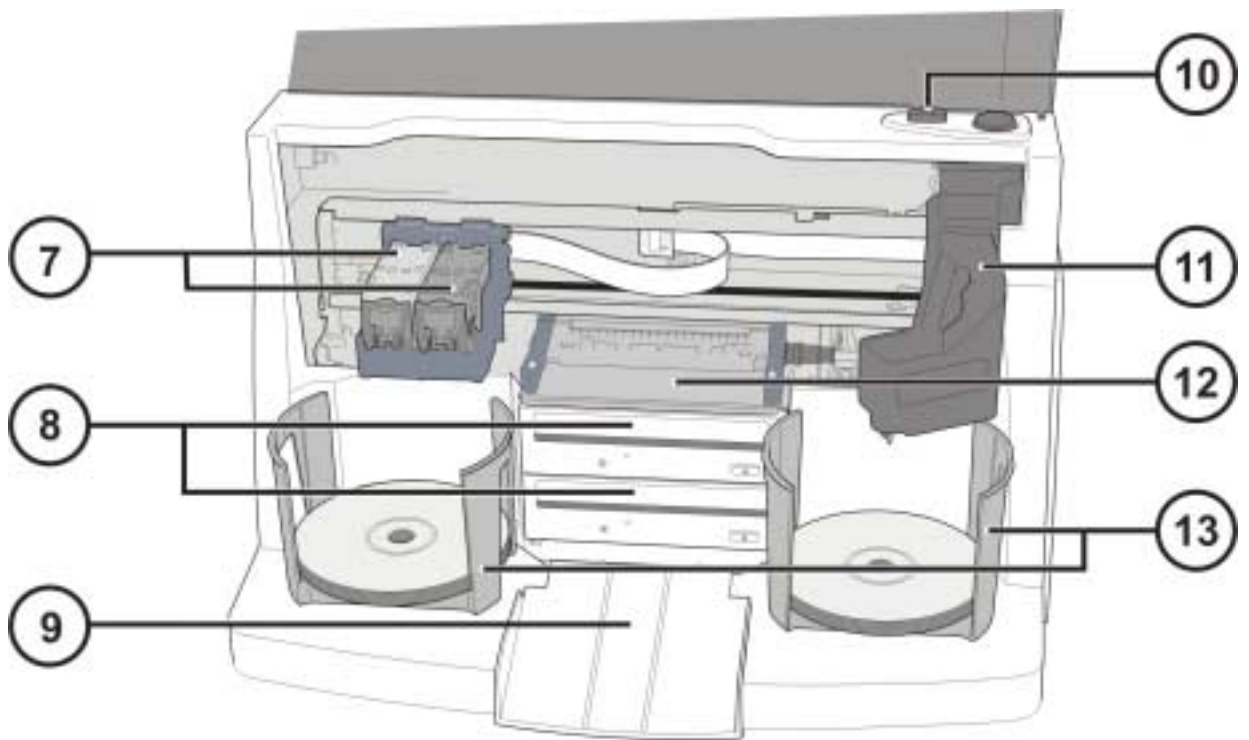
Components	2
Assembly	6
Startup.....	13
Shutdown	14
Media Loading.....	15
Configuration	18
DICOM Host Setup	26
Software Installation	27

Components



- 1. Display
- 2. Display Arm
- 3. Front Cover

- 4. Recorder
- 5. Controller
- 6. Output Bin



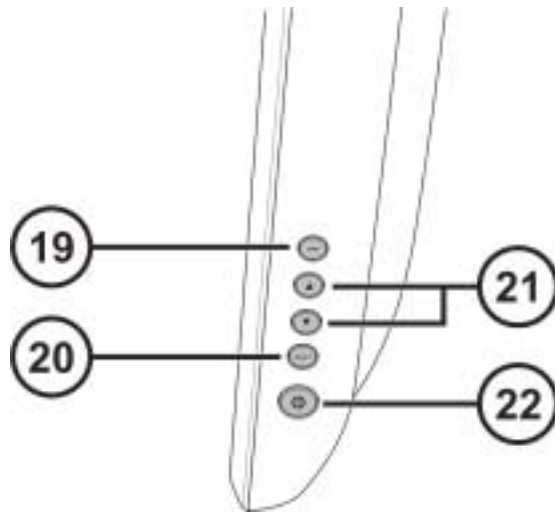
- 7. Ink Carriages
- 8. CD/DVD Recorders
- 9. Eject Ramp

- 10. Ink Cartridge Load Button
- 11. Robotic Disc Transporter
- 12. Printer Tray
- 13. Input Bins



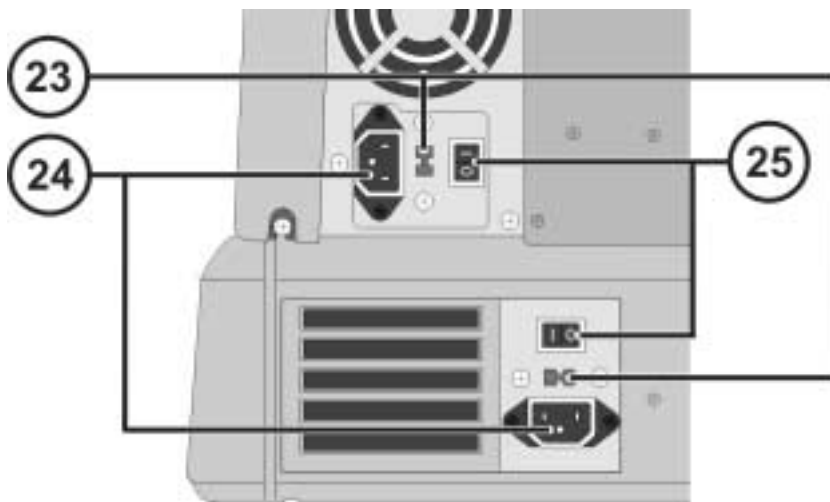
- 14. Controller Soft Power Button
- 15. Flash card reader/USB-2 Port

- 16. Status Indicators
- 17. SmartDrive USB Port
- 18. SmartDrive



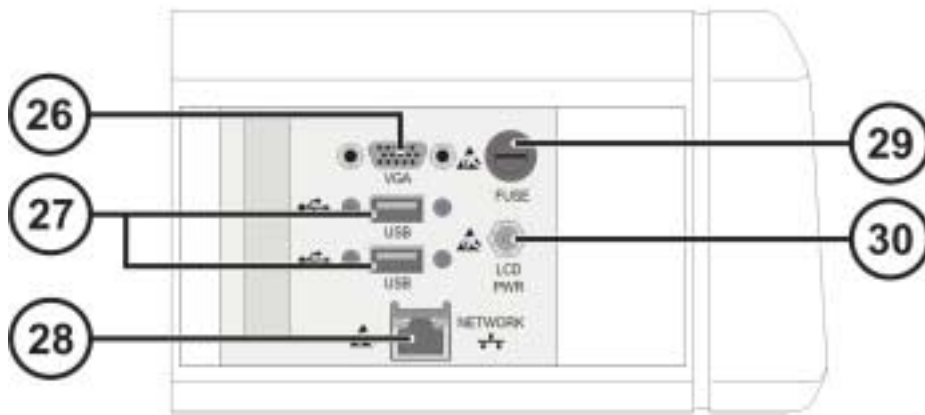
19. Display/exit on-screen menus
 20. Menu up and down

21. Contrast and Brightness Settings
 22. Power Switch



23. Voltage Selection Switches
 (VIRTUA-1-PS1 model only)

24. Power Input Ports
 25. Hard Power Switches



- 26. VGA connector
- 27. USB 2.0 connectors
- 28. Ethernet connector

- 29. Display Fuse
- 30. Display Power connector

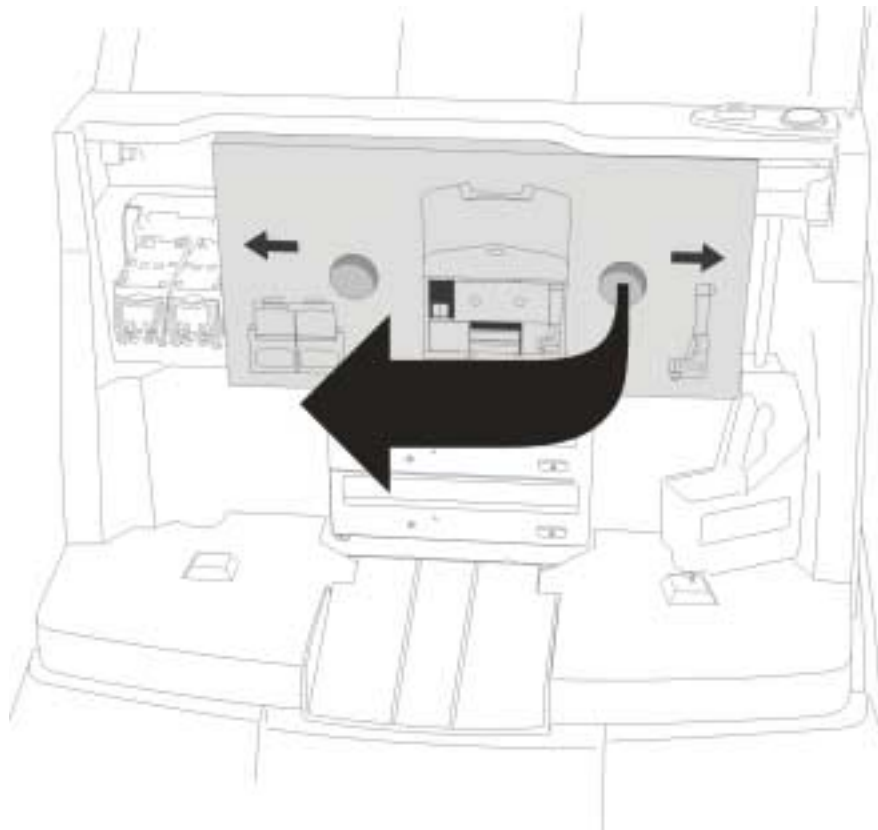


- 31. Recorder USB 2.0 Connector

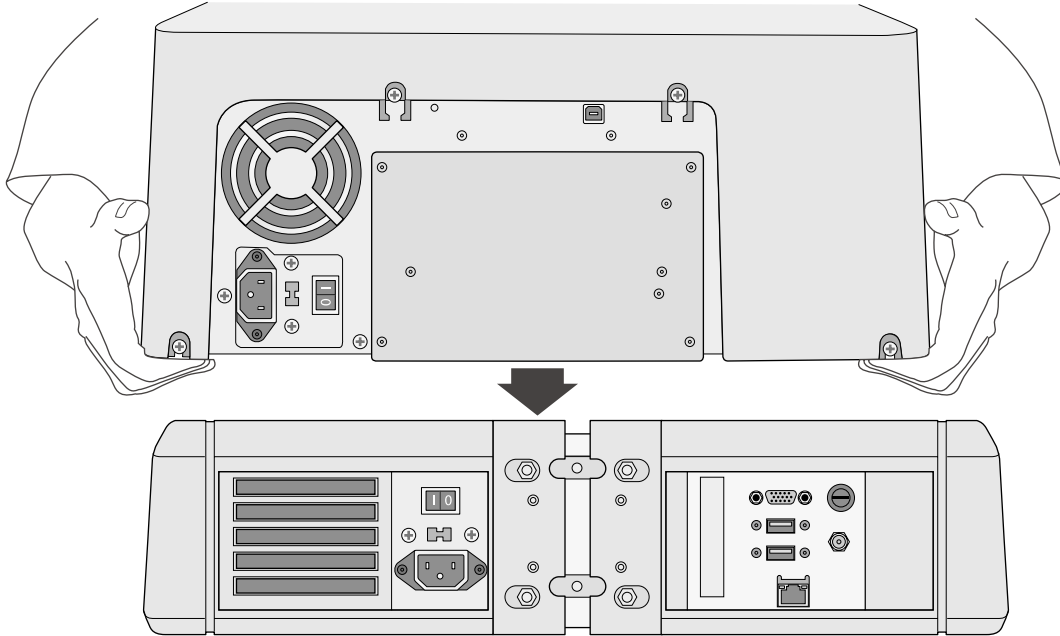
Assembly



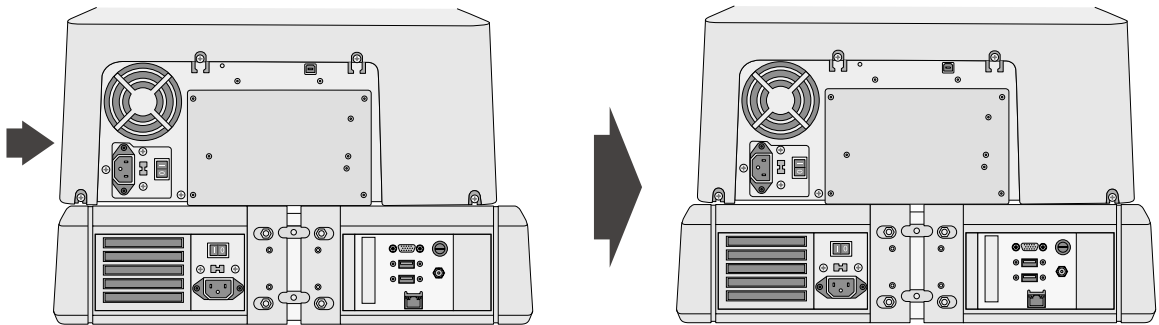
Place Controller on solid level surface



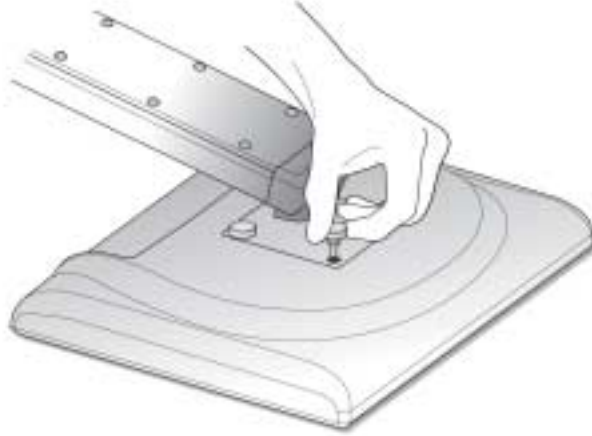
Remove cardboard insert (Remove foam piece if present)



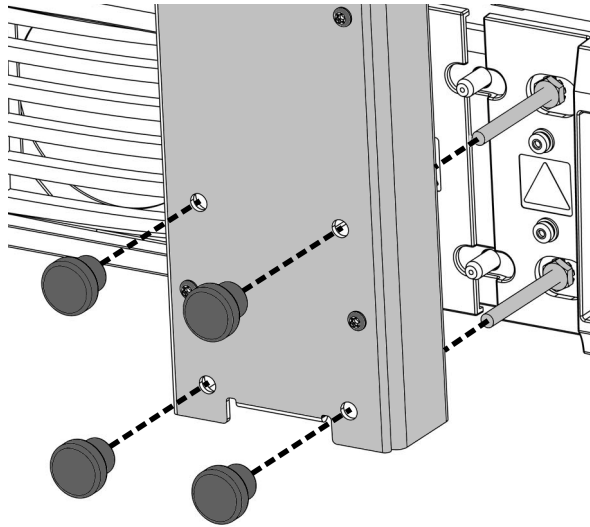
**Place Recorder on Controller
(Note offset to avoid finger pinch)**



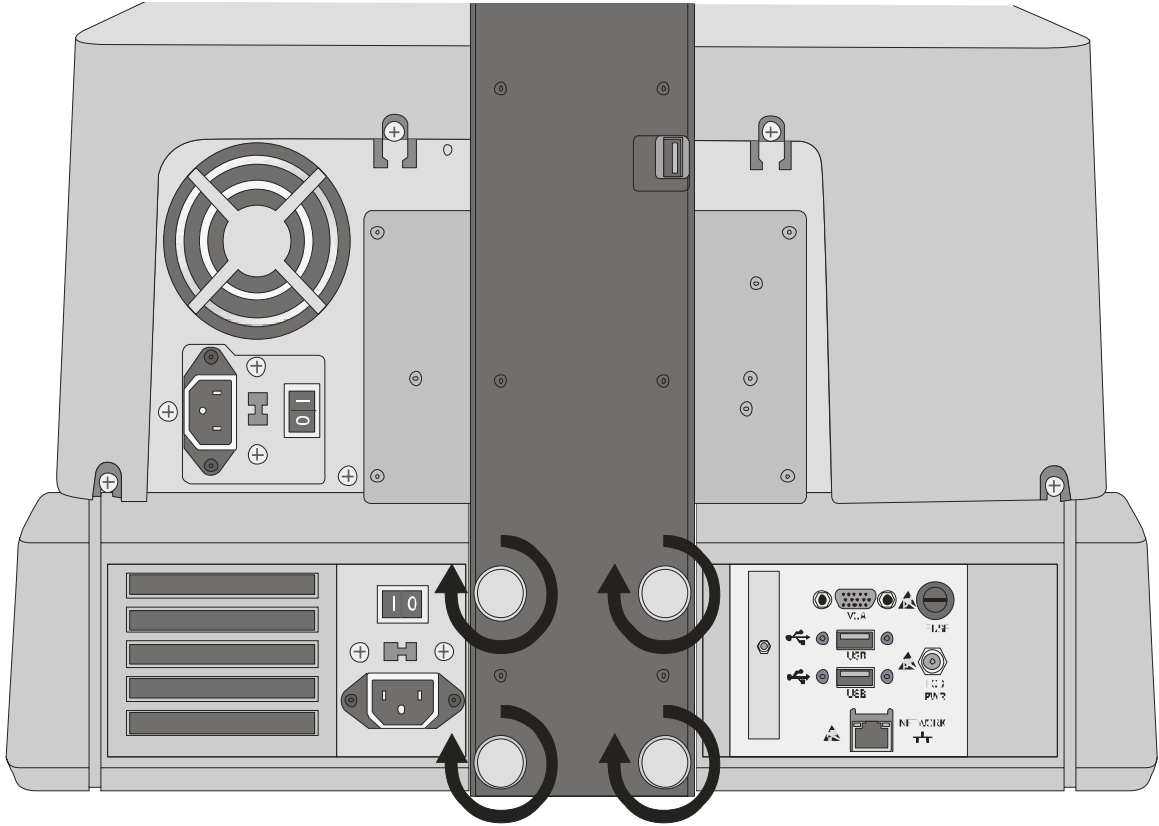
Center Recorder on Controller



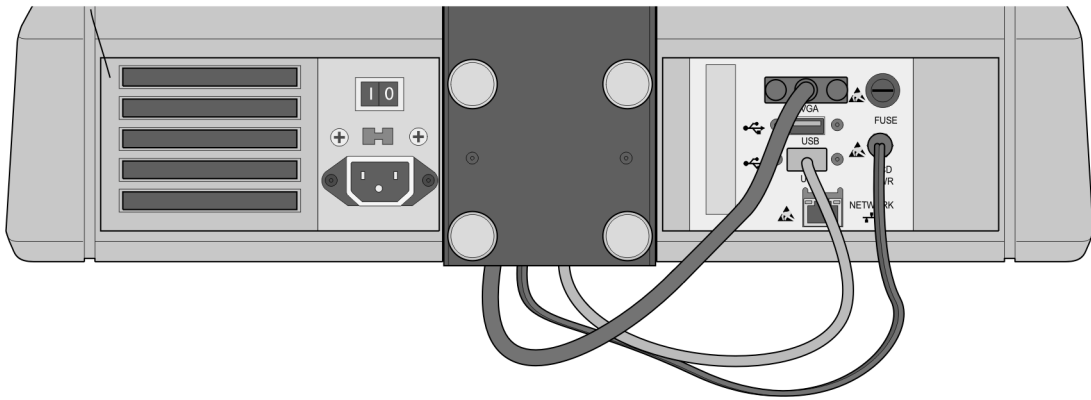
Assemble Display by attaching Display Arm to the Display using the 4 thumbscrews



Attach Display Arm with Thumbscrews to Controller



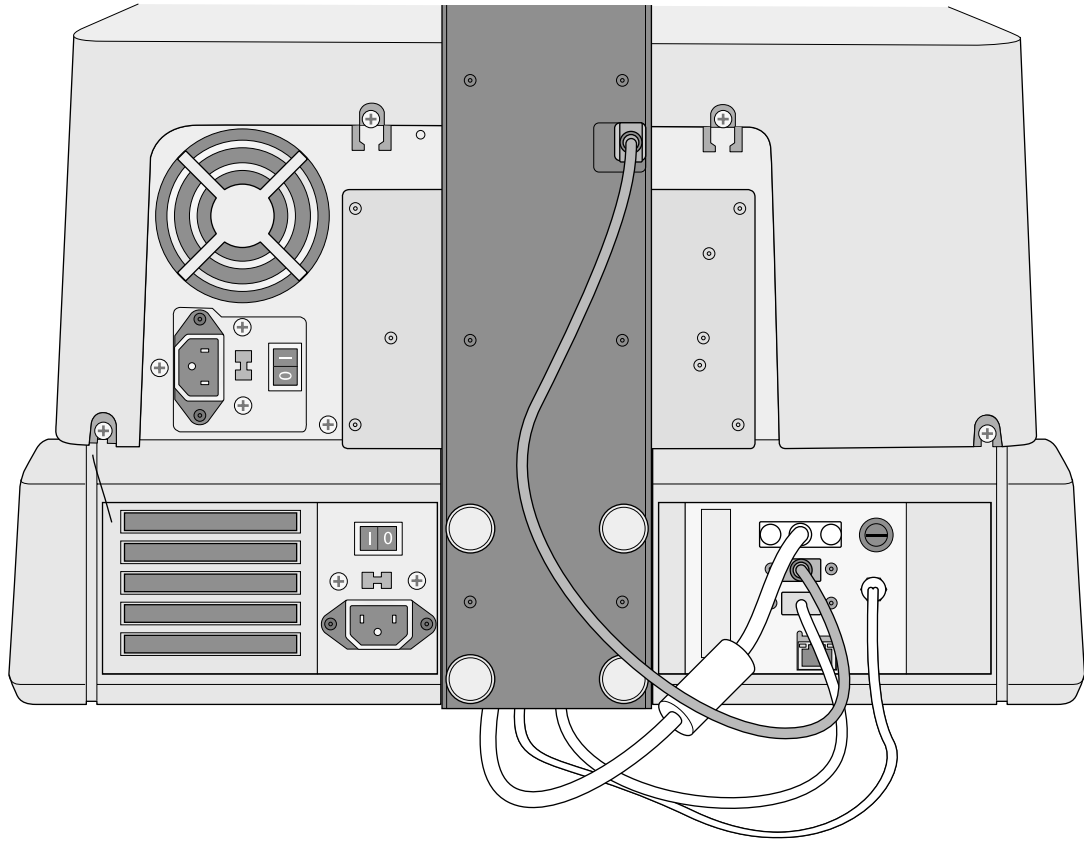
Tighten Thumbscrews with fingers



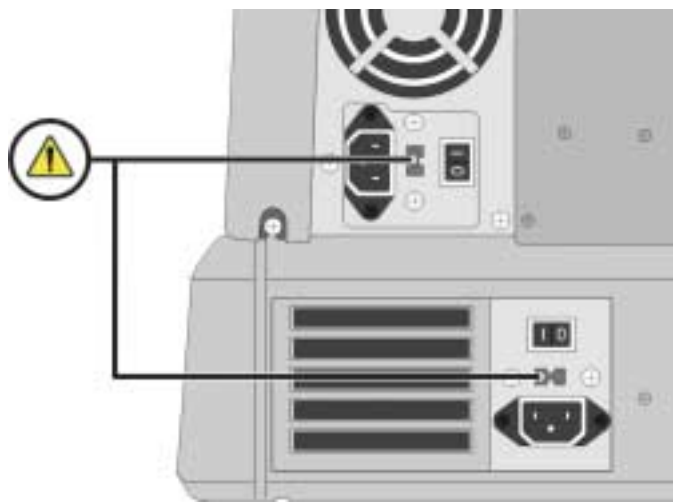
Attach Display cables (VGA, USB, Power)



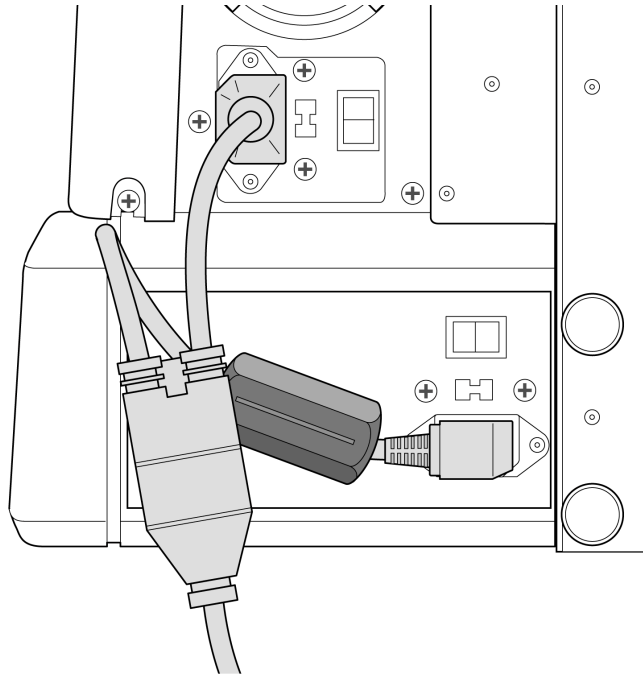
Connect the DC Power, USB and VGA cables from the Display Arm to the Display Ports



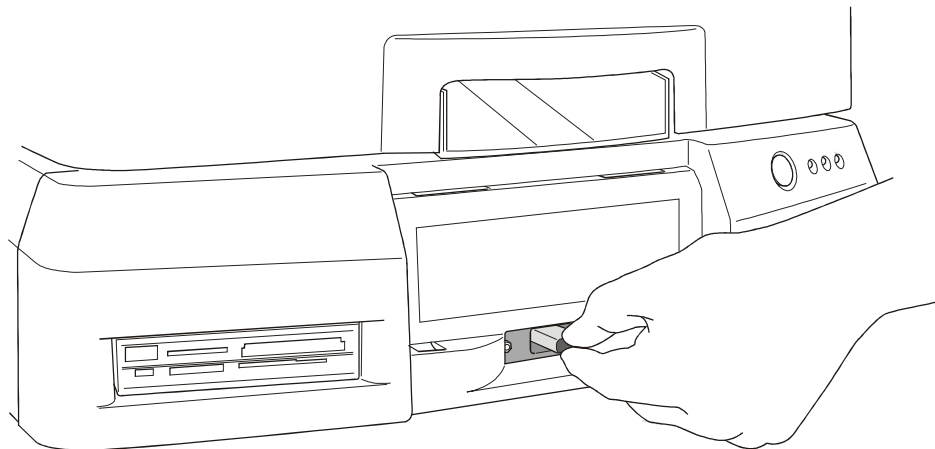
Attach Recorder USB cable



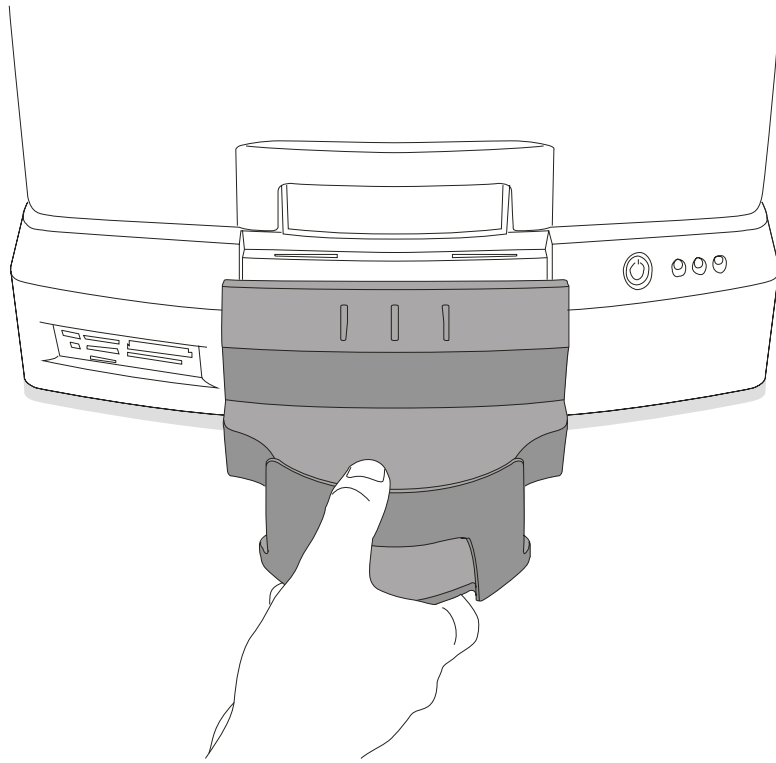
**⚠ Set 115V/230V Voltage Selector Switch
(Voltage Selector Switch on VIRTUA-1-PS1 model only)**



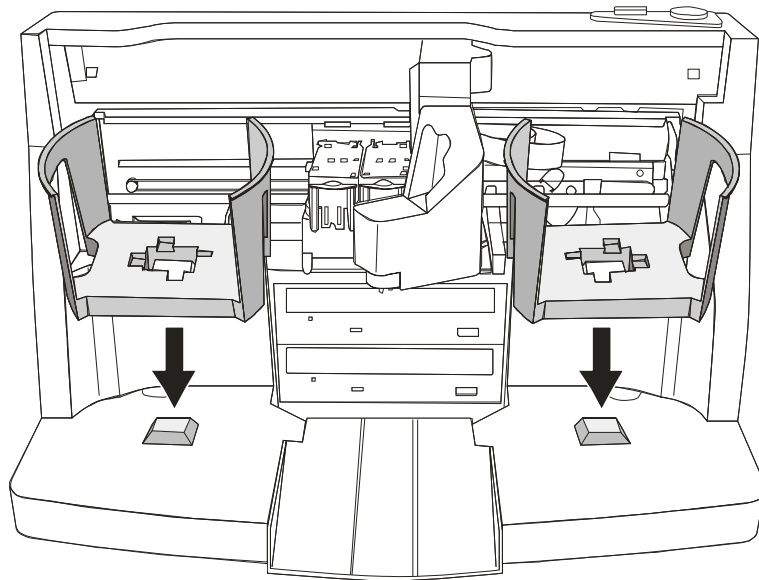
**Connect "Y" power cable
(Ferrite on VIRTUA-1-PS1 model only)**



Install SmartDrive

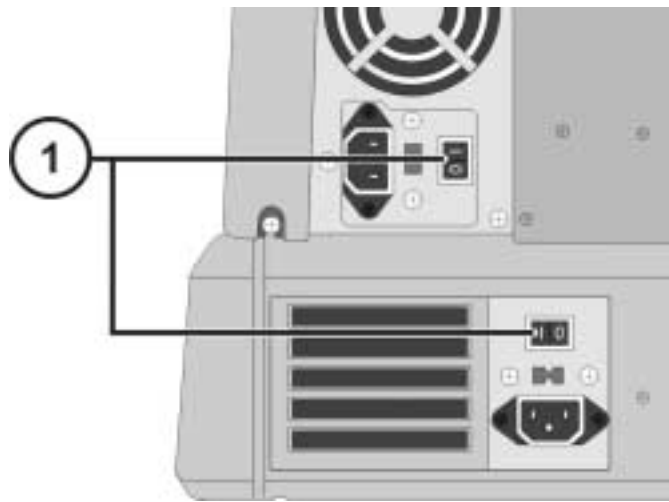


Install Output Bin

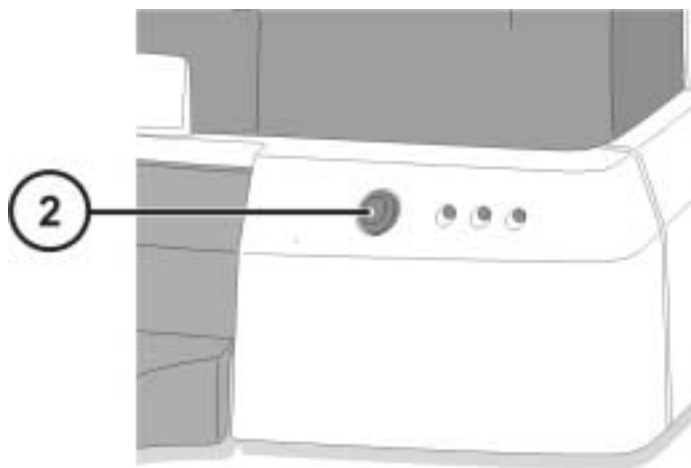


Install Input Bins

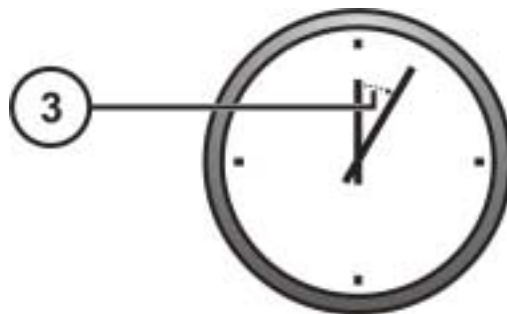
Startup



1. Set Power Switches ON (Top power switch first)



2. Press Controller Soft Power Button

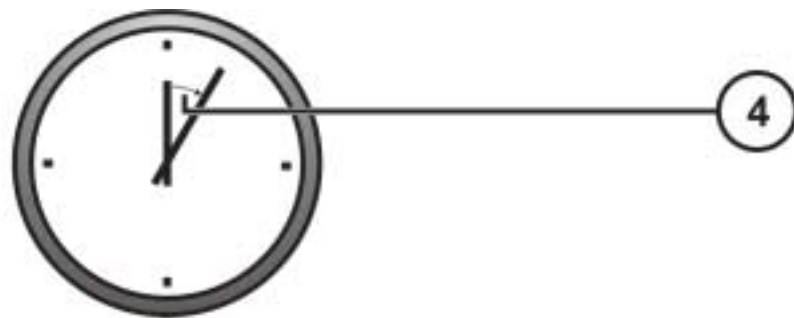


3. Wait 3 minutes for startup to complete

Shutdown

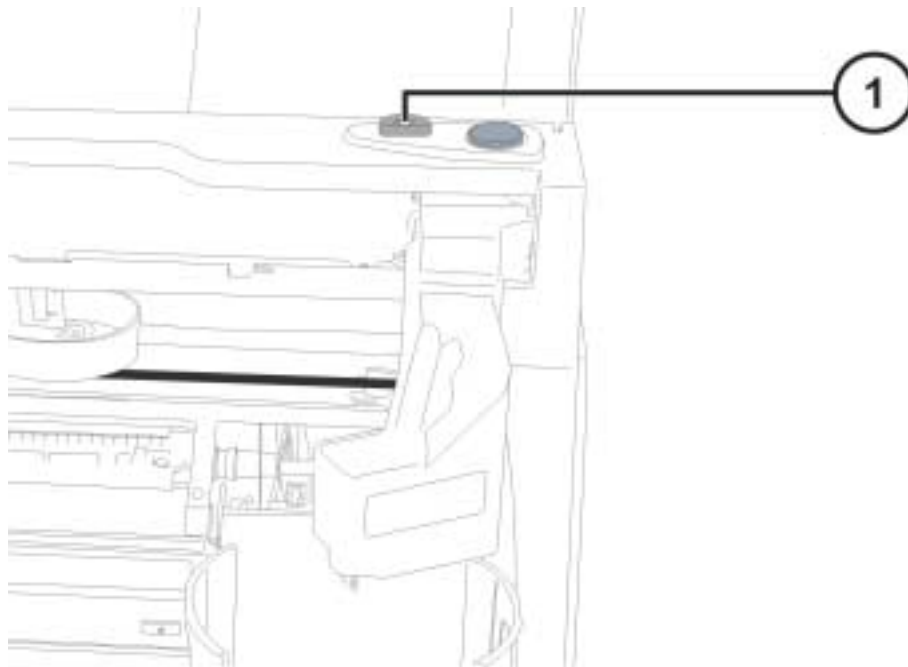


1. Touch Log Out button
2. Touch Shutdown button
3. Touch Shutdown button

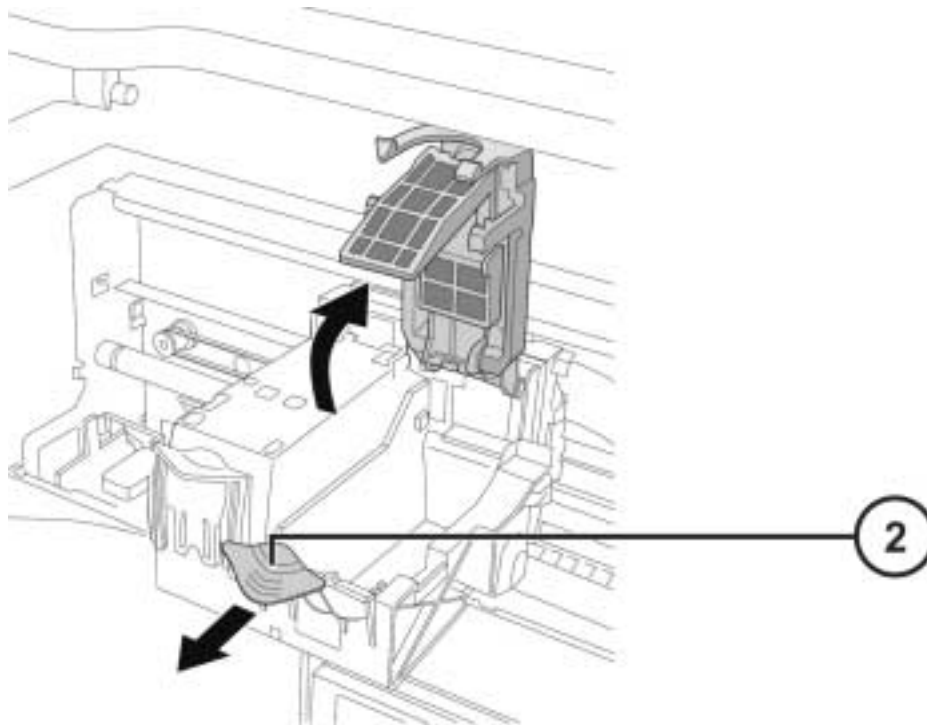


4. Wait 1 minute for shutdown to complete

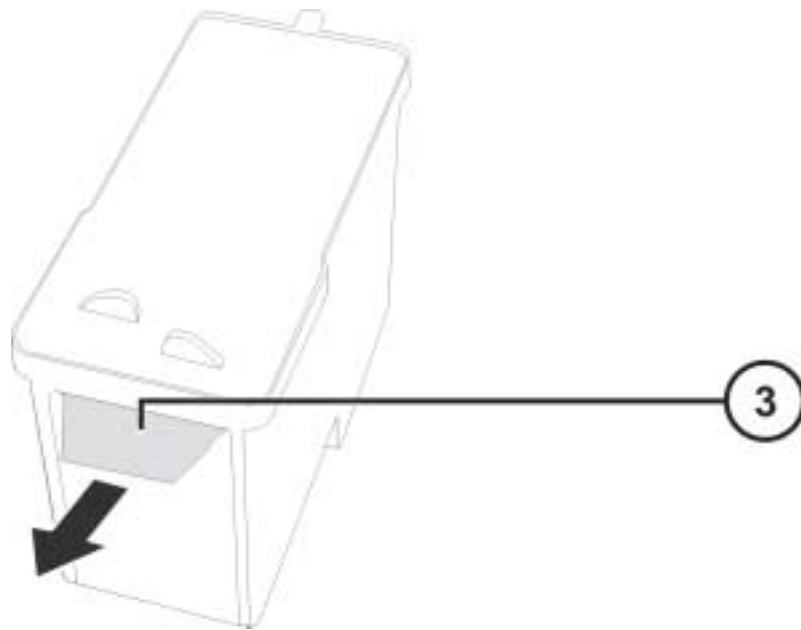
Media Loading



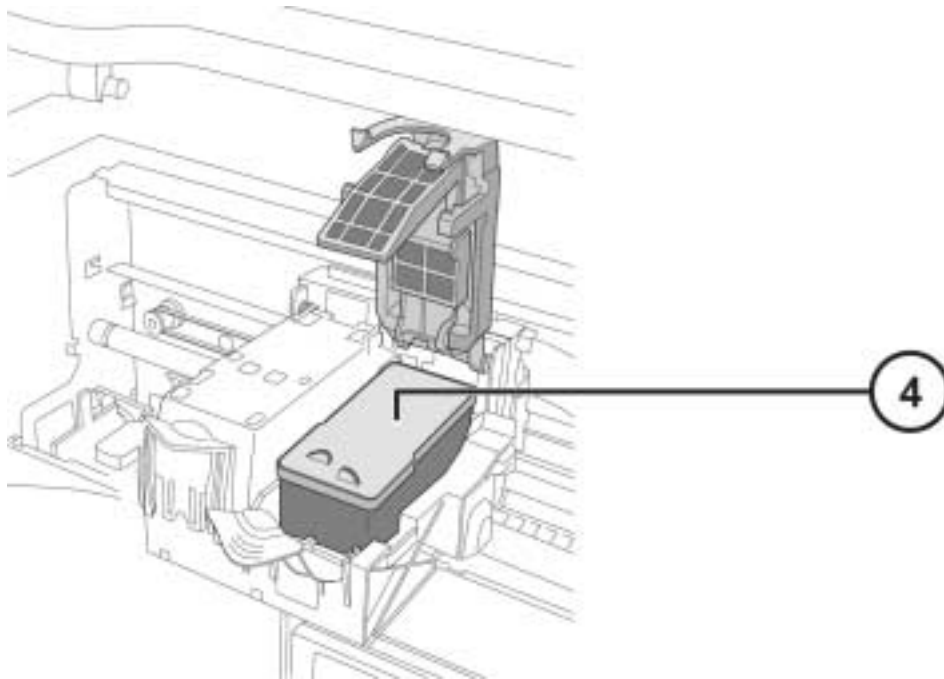
1. Press Ink Cartridge Load Button



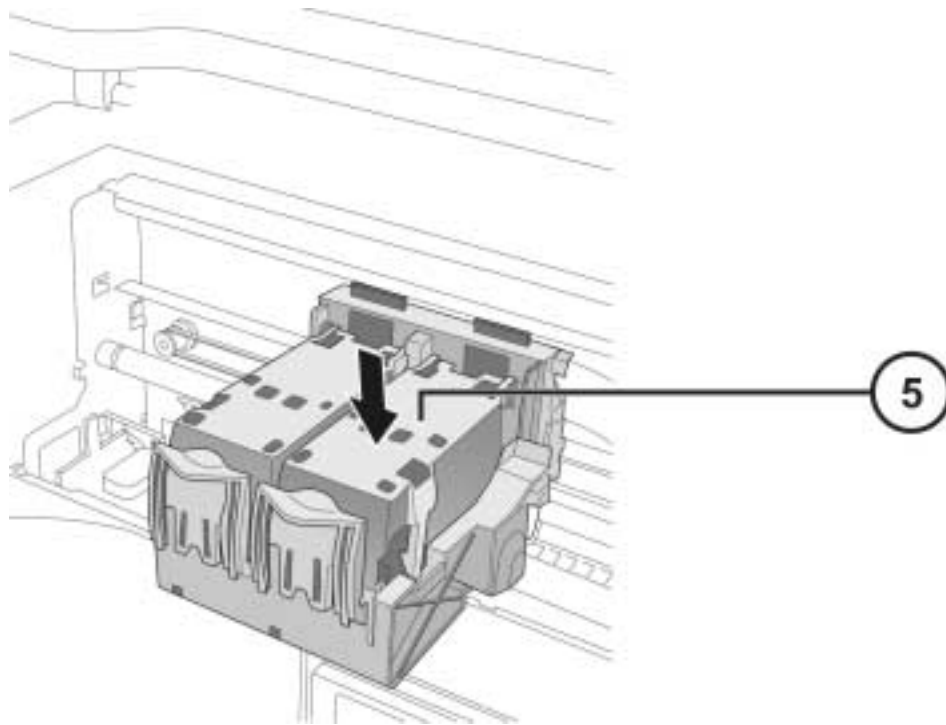
2. Open Ink Carriage (Color Shown)



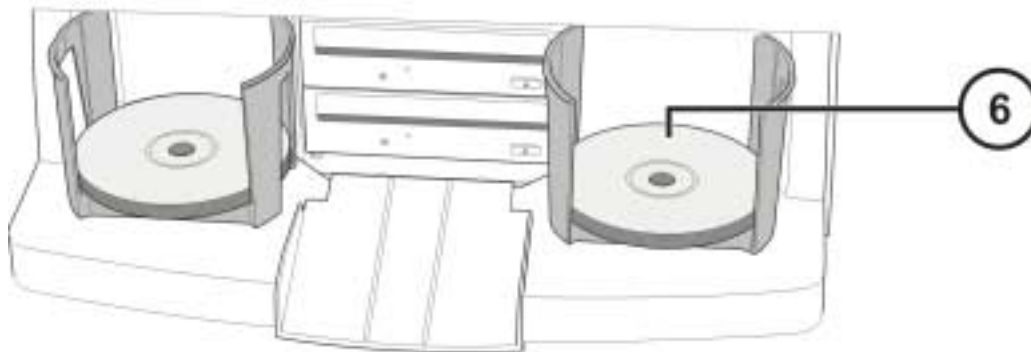
3. Remove Ink Cartridge Tape



4. Install Ink Cartridge (Color shown)



5. Close Ink Carriage (Color shown)



6. Load discs (white side up)

Configuration



On Screen Keyboard allows character input from Display.

1. Touch characters
2. Displays typed characters
3. Press OK when done



Log In

1. Touch Username field. Type "admin"
2. Touch Password field. Type "codonics"
3. Touch Log In



Set Network

1. Touch Setup button
2. Touch Network tab
3. Touch Static button
4. Enter IP Address
5. Enter Subnet Mask
6. Enter Gateway
7. Touch Save button



Set Date & Time

1. Touch Setup button
2. Touch Date & Time tab
3. Enter Date
4. Enter Time
5. Touch Save button



View Site Information

1. Touch Setup button
2. Touch Site tab

Set Site Information

- Power-off Controller
- Remove SmartDrive from Controller
- Insert SmartDrive in Windows® PC
- Edit file: \profiles\site\site.default.txt
- Insert SmartDrive in Controller
- Power-on Controller

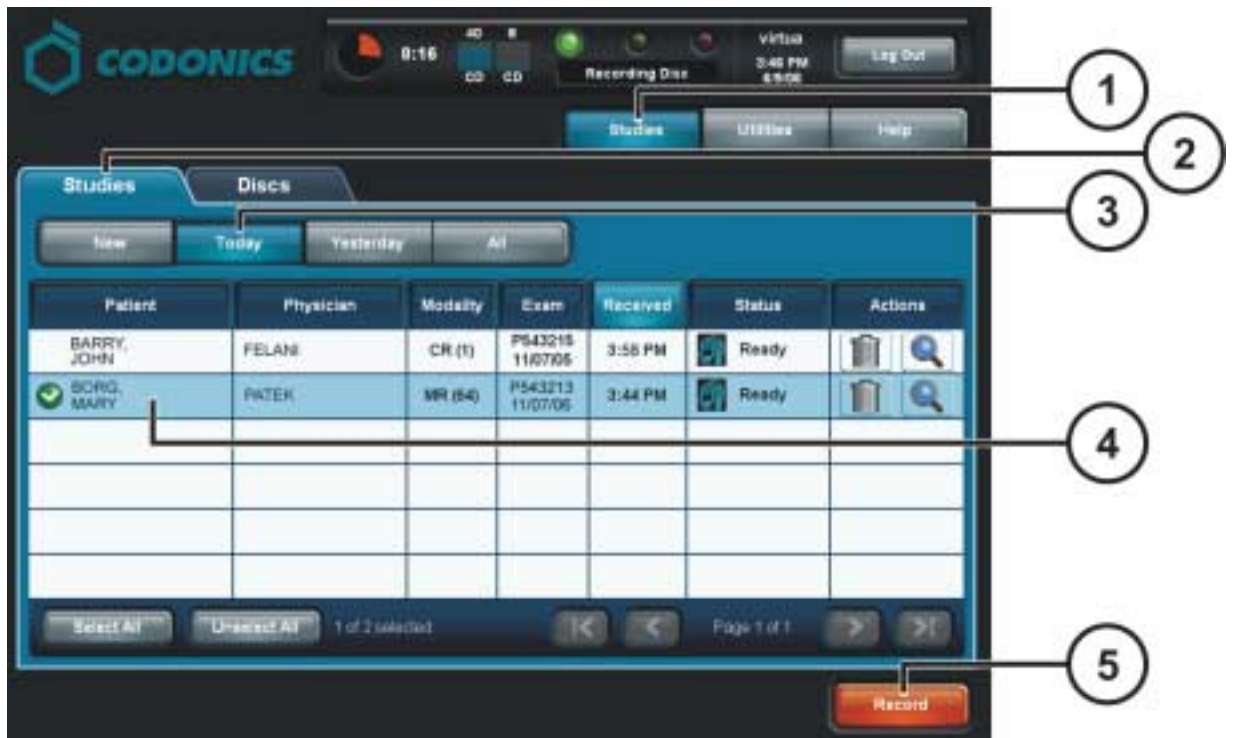
Sample file: site.default.txt

```
[ SiteProfile ]
siteProfileName = default
address0 = Codonics Imaging Center
address1 = 17991 Englewood Drive
address2 = Suite D
address3 = Middleburg Heights, OH 44130
customLabelFileLocation =
defaultImagerProfile =
defaultJobProfile =
demoSiteBurnDirectory = c:\data\cc\spd
inactivityTimeout = 60
isDemoSite = false
logoFileLocation =
siteDisclaimer = This disc contains confidential medical information. If you
are not the intended recipient or an authorized user, please contact the site
shown on this label.
siteName = Codonics
phoneNumber = 1-800-444-1198
url = www.codonics.com
```



Set User Password

1. Touch Setup button
2. Touch User tab
3. Select User Name
4. Enter Password
5. Confirm Password
6. Set Administrator mode (optional)
7. Touch Save button



Record Studies

1. Touch Studies button
2. Touch Studies tab
3. Select Filter
4. Select Studies
5. Touch Record button



- Record Studies (continued)
6. Touch Edit Options button



- Record Studies (continued)
7. Select Label
8. Select Viewer
9. Set Make Auto-Run (optional)
10. Select number of copies
11. Touch OK button



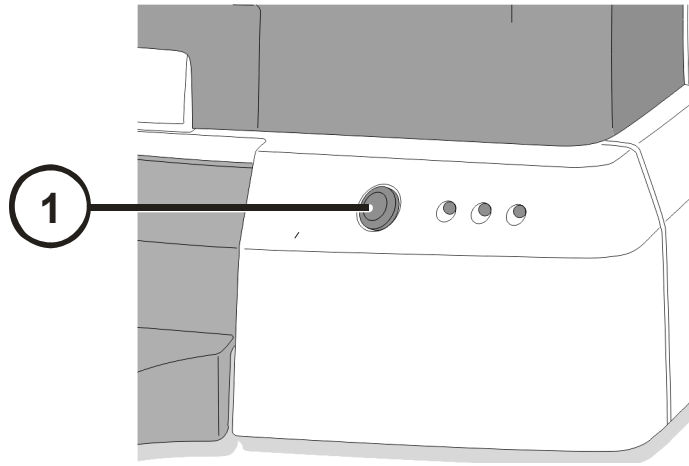
Record Studies (continued)
12. Touch OK button to record disc

DICOM Host Setup

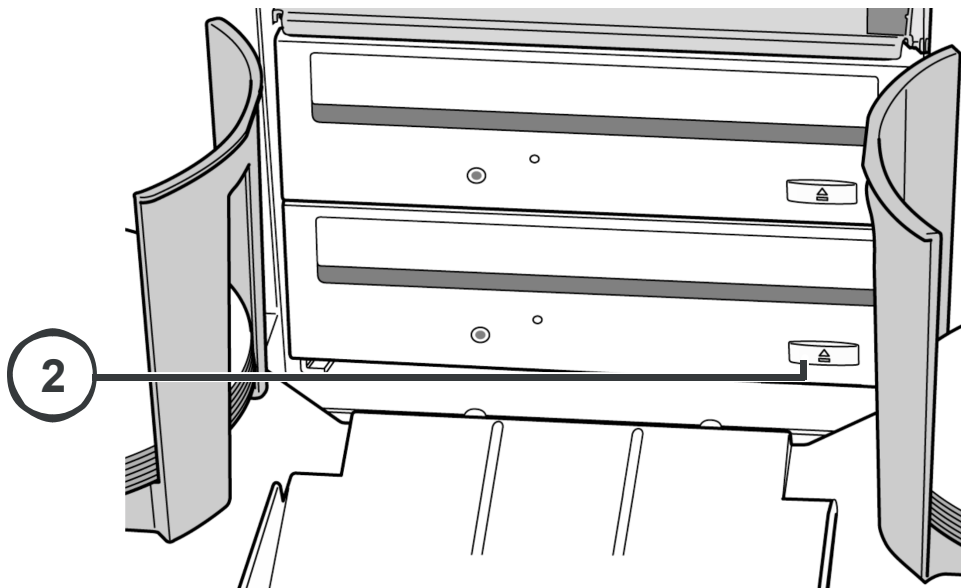
Host settings for storing DICOM studies to Virtua.

AE Title	TCP Port	Description
AUTO	104	Automatically record studies.
MANUAL	104	Place studies in Study List for manual recording.

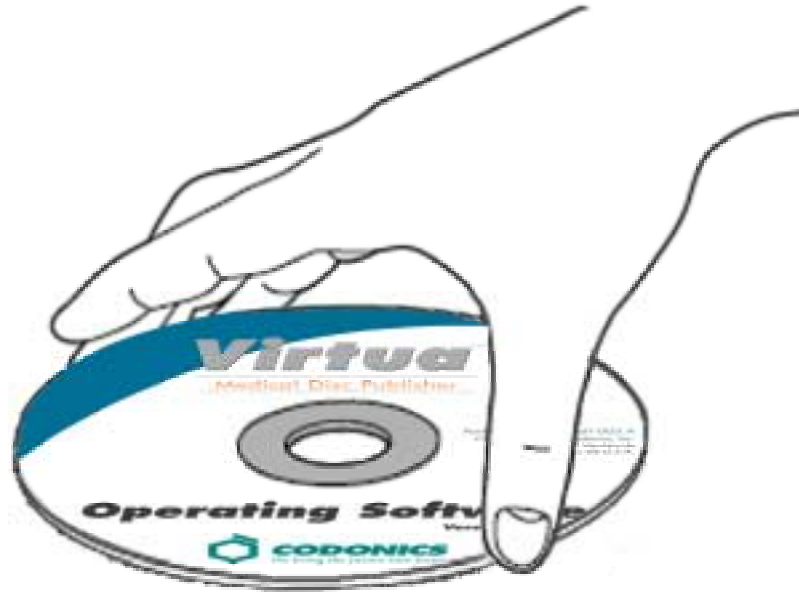
Software Installation



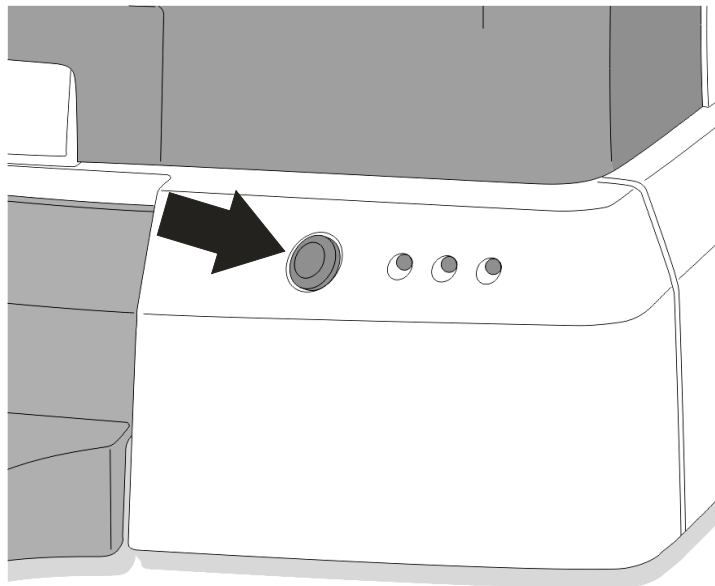
1. Power-off Controller.



2. Open bottom drive tray



3. Place “Operating Software” disc in bottom drive tray.
4. Close bottom drive tray.



5. Power-on Controller.
6. Wait 45 minutes for software to install.
7. Remove “Operating Software” disc from bottom drive tray.
8. Close bottom drive tray.

Troubleshooting

Problem	Solution
System start up fails.	<p>Check “Y” power cable. Verify power selector switches are set properly. Verify controller power switch is ON. Verify recorder power switch is ON. Verify display power switch is ON. Check display cables (VGA, USB, Power). Check recorder USB cable. Verify SmartDrive is connected.</p>
Display is blank.	<p>Check display power switch. Check display cables (VGA, USB, Power).</p>
Display does not respond properly.	<p>Check display USB cable. Align display by touching Align Touch Screen button.</p>
Login fails.	<p>Verify username and password. Verify password case (upper-case and lower-case). Delete file <code>\profiles\user\user.admin.txt</code> on SmartDrive to restore default password: codonics</p>
Network not responding.	<p>Check network settings. Verify network cable is connected. Verify SmartDrive is connected.</p>
Recorder is not responding.	<p>Check recorder USB cable. Verify recorder power switch in ON. Cycle power on recorder using recorder power switch.</p>
Label prints light, has lines or is blank.	<p>Replace ink cartridge.</p>
Display shows disc error.	<p>Verify correct media type is loaded in each input bin. Use recommended quality discs. Handle discs properly when loading.</p>
System responses are slow.	<p>Multiple jobs are being processed at the same time. Large jobs with many images are being processed. Multiple remote web connections are active.</p>

All registered and unregistered trademarks are the property of their respective owners. Specifications subject to change without notice. Copyright © 2005-2007 Codonics, Inc. Printed in U.S.A. Part Number 900-348-002. Rev. D.